



SCOTT™
Fire & Safety

Product Catalog



Product Listing





3M

Bulwark
SCOTT

3M
SCOTT



Table of Contents

Self-Contained Breathing Apparatus (SCBA)	
NFPA SCBA	
3M™ Scott™ Air-Pak™ X3 Pro SCBA	6
3M™ Scott™ EZ-Scape Pro Firefighter Escape Belt	7
SCBA Accessories	7
NIOSH SCBA	
3M™ Scott™ Air-Pak™ 75i SCBA	8
3M™ Scott™ Industrial SCBA	9-11
3M™ Scott™ ACSi SCBA	12-14
Cylinders	
3M™ Scott™ SCBA Cylinders	15-16
Cylinder Accessories	17
Facepieces	
3M™ Scott™ Vision C5 Facepiece with E-Z Flo C5 Regulator	18-20
3M™ Scott™ AV-3000 HT Facepiece	21-23
3M™ Scott™ AV-3000 SureSeal Facepiece	24-26
3M™ Scott™ Weld-O-Vista Facepiece	27-29
Voice Communications	
3M™ Scott™ Vision C5 Facepiece with Radio Direct Interface	30-31
3M™ Scott™ EPIC 3 Voice Communications	32-33
Accountability and Software Solutions	
3M™ Scott™ Monitor Telemetry Software Solution	34
3M™ Safety & Inspection Manager for Emergency Services	35
Search and Rescue	
Thermal Imagers	
3M™ Scott™ V320 Thermal Imager	36
3M™ Scott™ Sight In-Mask Thermal Imager	37-38
Firefighter Location	
3M™ Scott™ Pak-Tracker Firefighter Locator System	39
Rapid Intervention	
3M™ Scott™ RIT-Pak Fast Attack Emergency Air Supply	40
3M™ Scott™ RIT-Pak III Emergency Air Supply	41

Respiratory	
Cartridges, Canisters, Filters and Adapters	
3M™ Scott™ AV-632 Bayonet Adapter	42
3M™ Particulate Filters and Cartridges	43-44
3M™ Scott™ 40 mm Cartridges, Canister and Filters	44
Fit Testing Kits and Accessories	
Bitrex 3M™ Qualitative Fit Test Kit	45
Powered and Supplied Air	
3M™ Scott™ C420 Plus CBRN Powered Air Purifying Respirator	46-47
3M™ Scott™ Ska-Pak AT Supplied-Air Respirator	48-50
3M™ Scott™ Ska-Pak Plus Supplied-Air Respirator	51-53
3M™ Scott™ Ska-Pak Supplied-Air Respirator	54-56
3M™ Scott™ E-Z Airline Supplied-Air Respirator	57-59
3M™ Scott™ Mobile Air Cart	60
3M™ Scott™ TRC-1 Air Cart	60
Emergency Escape	
3M™ Scott™ ELSA Emergency Escape Breathing Device (EEBD)-N	61

3M™ Scott™ EZ-Scape Pro Firefighter Escape Belt



The 3M™ Scott™ EZ-Scape Pro Integrated Self-Rescue Belt (full bailout system) is no longer available. Please contact 3M Scott Technical Support for replacement options.

3M™ Scott™ EZ-Scape Pro Firefighter Escape Belt and Pouch Options (compatible with 3M™ Scott™ Air-Pak™ X3 Pro SCBA)

Part Number	Description
201096-38	EZ-Scape Pro Integrated Self-Rescue Belt, Air-Pak X3 Pro, Waist Belt Only – Jettison
201096-36	EZ-Scape Pro Integrated Self-Rescue Belt, Air-Pak X3 Pro, Waist Belt and Hip Pouch (empty) – Jettison
201096-08	EZ-Scape Pro Integrated Self-Rescue Belt, Air-Pak X3 Pro, Waist Belt Only – Fixed
201096-06	EZ-Scape Pro Integrated Self-Rescue Belt, Air-Pak X3 Pro, Waist Belt and Hip Pouch (empty) – Fixed

The 3M™ Scott™ EZ-Scape Pro Accessory Pouch attaches to the 3M™ Scott™ EZ-Scape Pro Firefighter Escape Belt and is compatible with the 3M™ Scott™ Air-Pak™ X3 Pro SCBA. The accessory pouch may be used to store a NFPA 1983 certified bailout system, provided the system fits inside the pouch and can connect to the integrated D-ring on the 3M™ Scott™ EZ-Scape Pro Firefighter Escape Belt. The accessory pouch is supplied empty and does not include bailout hardware (anchor, descender, escape rope).

Accessories for 3M™ Scott™ EZ-Scape Pro Firefighter Escape Belt

Part Number	Description
78-8151-3609-4	EZ-Scape Pro Accessory Pouch
31003385	Multi-Use Ladder Strap

SCBA Accessories

Part Number	Description
805511-01	Chest Strap (Air-Pak Wireframe, Air-Pak 75, Air-Pak X3 SCBA)
201612-01	Chest Strap, Universal (Air-Pak X3 Pro SCBA)
200112-01	Extended Duration Adapter Assy, Hansen
200112-02	Extended Duration Adapter Assy, Foster
200112-03	Extended Duration Adapter Assy, Hansen HK
200112-04	Extended Duration Adapter Assy, Schrader
201729-01	Extended Duration Adapter Assy, Hansen, UEBSS
201729-02	Extended Duration Adapter Assy, Foster, UEBSS
201729-03	Extended Duration Adapter Assy, Hansen HK, UEBSS
201729-04	Extended Duration Adapter Assy, Schrader, UEBSS
200388-01*	Tool Adapter, Snap Change
803620-03**	Pass Thru Assembly, Hansen
803620-04**	Pass Thru Assembly, Schrader
803620-05	Pass Thru Assembly, CEJN
805088-01	Waist Belt Extension (Air-Pak Wireframe, Air-Pak 75, Air-Pak X3 SCBA)
201614-01	Waist Belt Extension (Air-Pak X3 Pro SCBA)
200673-01*	Pak-Link Programmer/Data-logger

* Accommodates 2.2, 4.5, and 5.5 Snap-Change Cylinders.

** For use with Dual EBSS in an encapsulated protective suit.

* For use in downloading PASS data from any 3M™ Scott™ Air-Pak™ SCBA certified to the NFPA 1981/1982, 2007 Edition standards (and newer) including pneumatic data introduced as part of the 2018 Edition standard; may also be used for programming the 3M™ Scott™ Pak-Tracker Firefighter Locator System ID of a 3M™ Scott™ Air-Pak™ SCBA.

Note: For 3M™ Scott™ Air-Pak™ X3 Pro SCBA, customers may also use the mobile application.

Self-Contained Breathing Apparatus (SCBA)

3M™ Scott™ Air-Pak™ 75i SCBA

Built-to Specification Configurator



SCBA Model	Harness	Pressure (psig)	Cylinder ①	Regulator ③	EBSS	Airline Options ②	Facepiece ④	Console	Case	Packaging
4 Air-Pak™ 75i SCBA	5 Kevlar®/ Parachute Buckle	2 2216	00 None	1 E-Z Flo with Vibralert	0 None	0 None	0 None	1 Gauge	0 None	1 One Per Box
		4 4500		2 E-Z Flo with Vibralert Quick Disconnect	2 Dual	1 Hansen	3 AV-3000 SureSeal Kevlar® (M)	4 Gauge and HUD	1 Hard Case	
		5 2216 with RIC/UAC		5 E-Z Flo with Vibralert / HUD		2 Schrader	6		2 Soft Case	
		7 4500 with RIC/UAC		6 E-Z Flo with Vibralert Quick Disconnect / HUD		4 Hansen HK Plug	9			
		8 5500				5 Hansen HK Socket				
		9 5500 with RIC/UAC								

1. Part Number:

Select a one or two digit number per box from the chart above that corresponds to your choice.

API	4	5	X	00	X	X	X	X	1	X	1
-----	---	---	---	----	---	---	---	---	---	---	---

- ① Order cylinders separately.
- ② Airline options not available when dual EBSS is installed on 3M™ Scott™ Air-Pak™ 75i SCBA.
- ③ When selecting an E-Z Flo with HUD, you must select Gauge and HUD for the Console.
- ④ If you prefer an alternate facepiece style, head harness, or size, choose "none" and order an approved facepiece as a separate line item (see pages 21-26 for selections).

Example

Air-Pak™ 75i SCBA
Kevlar®/parachute buckle;
for 4500 psig cylinder,
no cylinder, with E-Z Flo
regulator with Vibralert,
no EBSS, no airline, no
facepiece, standard gauge,
no case, shipped one
per box.

API	4	5	4	00	1	0	0	0	1	0	1
-----	---	---	---	----	---	---	---	---	---	---	---

In this example, order (4500 psig) cylinder, facepiece and case separately.

This configurator is a guide to 3M™ Scott™ Air-Pak™ 75i SCBA part numbers.

3M™ Scott™ Industrial SCBA (ISCBA)

Built-to Specification Configurator



SCBA Model	Harness	Pressure (psig)	Cylinder	Regulator	Manifold ①	Airline Options	Facepiece ②	Console	Case	Packaging											
1	ISCBA	1	Nylon/Polymer Buckle	2	2216	00	None	3	E-Z Flo standard	1	Single	0	None	0	None	1	Gauge	0	None	1	One Per Box
		4	Kevlar®/Metal Buckle	4	4500	01	2216 psi Aluminum, 30 min.	4	E-Z Flo Modulair QD	2	Dual	1	Hansen	3	AV-3000 SureSeal Facepiece, Kevlar® (M)			1	Hard Case		
						02	2216 psi Carbon, 30 min.					2	Schrader	6	AV-3000 SureSeal Facepiece Poly (M)			2	Soft Case		
						04	4500 psi Carbon, 30 min.					3	Cejn	9	AV-3000 SureSeal Facepiece Rubber (M)						
						05	4500 psi Carbon, 45 min.					4	Hansen HK Plug								
						06	4500 psi Carbon, 60 min.					5	Hansen HK Socket								
							Drained														
						AA	2216 psi Aluminum, 30 min.														
						BB	2216 psi Carbon, 30 min.														
						DD	4500 psi Carbon, 30 min.														
						EE	4500 psi Carbon, 45 min.														
						FF	4500 psi Carbon, 60 min.														

1. Part Number:
Select a one or two digit number per box from the chart above that corresponds to your choice.

IND	1	X	X	XX	X	X	X	X	X	1	X	1
-----	---	---	---	----	---	---	---	---	---	---	---	---

- ① Airline options require a dual manifold.
- ② If you prefer an alternate facepiece style, head harness, or size, choose "none" and order an approved facepiece as a separate line item (see pages 21-26 for selection).

Example
ISCBA
Kevlar®/metal buckle; for 4500 psig cylinder, no cylinder, with E-Z Flo regulator, single manifold, no airline, no facepiece, standard gauge, no case, shipped one per box.

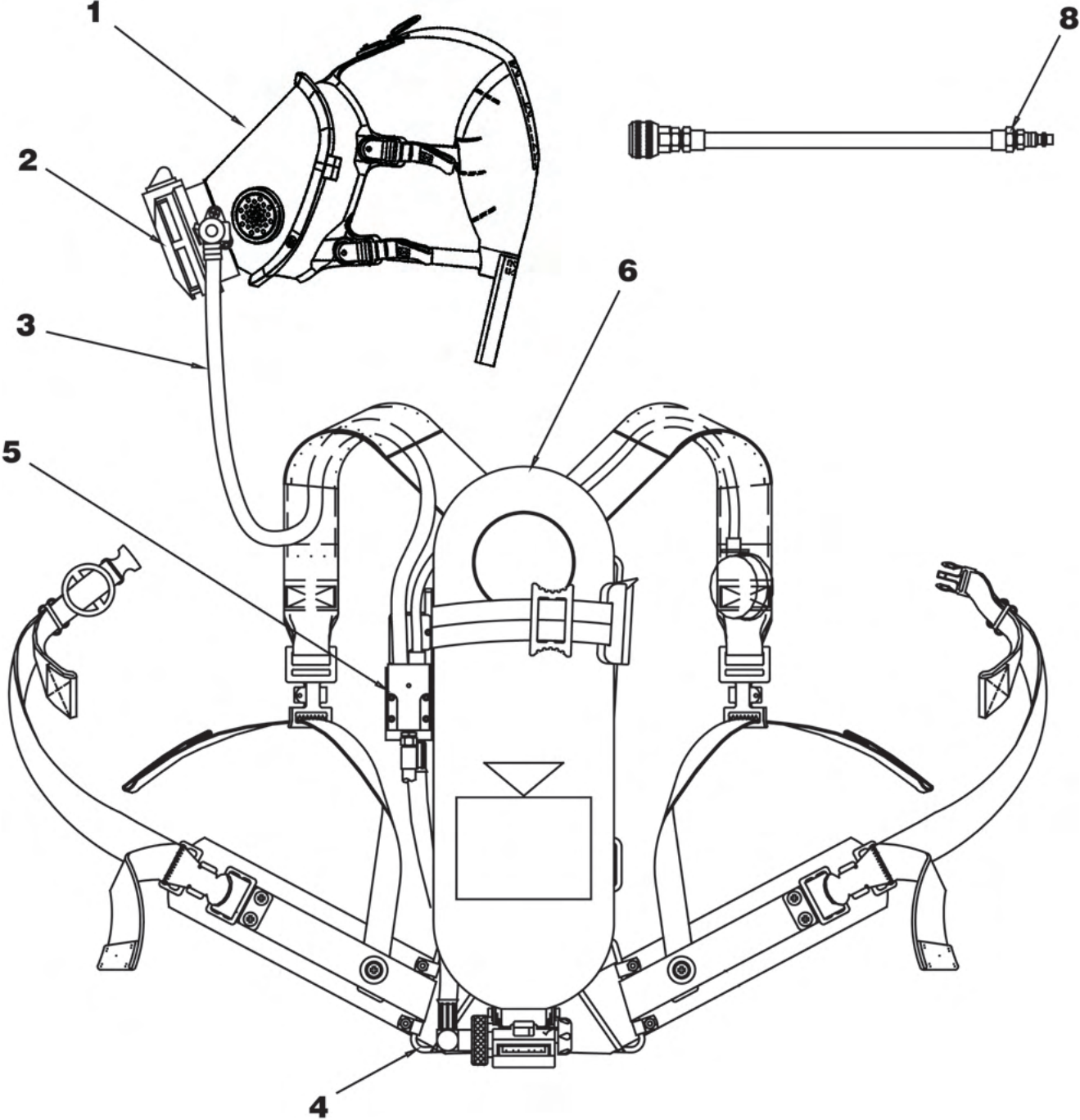
IND	1	4	4	00	3	1	0	0	1	0	1
-----	---	---	---	----	---	---	---	---	---	---	---

In this example, order (4500 psig) cylinder, facepiece and case separately.

This configurator is a guide to 3M™ Scott™ ISCBA part numbers.

Self-Contained Breathing Apparatus (SCBA)

3M™ Scott™ ISCBA



Industrial SCBA Parts and Accessories

Item Number	Description	Pieces Per Pkg	Part Number
1	Facepieces		
1a	AV-3000 HT Facepiece	See Pages 21-23	
1b	AV-3000 SureSeal Facepiece	See Pages 24-26	
2	Regulator		
2a	E-Z Flo	1	804441-04
2b	E-Z Flo Modulair Quick Disconnect	1	804441-05
3	Quick Disconnect Low Pressure Hose Assembly	1	804678-01
4	Backframe and Harnesses		
4a	Kevlar® with Metal Buckles	1	804621-02
4b	Nylon with Plastic Buckles	1	804621-03
5	Pressure Reducers		
5a	2216 psig, Single Port	1	804619-01
5b	2216 psig, Dual Port	1	804619-02
5e	4500 psig, Single Port	1	804642-01
5f	4500 psig, Dual Port	1	804642-02
6	Cylinder and Valve Assemblies		
6a	Aluminum, 30-Minute, 2216 psig	1	804101-01
6b	Carbon, 30-Minute, 2216 psig	1	804840-01
6c	Carbon, 30-Minute, 4500 psig	1	804721-01
6d	Carbon, 45-Minute, 4500 psig	1	804722-01
6e	Carbon, 60-Minute, 4500 psig	1	804723-01
7	Airline Hose and Fittings (not shown)		
7a	Airline Accessory Hose, Hansen Fitting	1	27537-01
7b	Airline Accessory Hose, Schrader Fitting	1	27537-02
7c	Airline Accessory Hose, Hansen HK Fitting	1	27537-03
8	Supply Hoses	See Page 59	
9	Communications	See Pages 32-33	
Not shown	Hard Carrying Case, SCBA	1	804497-02
Not shown	Soft Carrying Case, SCBA	1	10009324

Self-Contained Breathing Apparatus (SCBA)

3M™ Scott™ ACSi SCBA

Built-to Specification Configurator



SCBA Model	Harness	Pressure (psig)	Cylinder ①	Regulator	Manifold	Extended Duration Airline	Facepiece ②	Console	Case	Packaging
3 ACSi SCBA	A ACSi Standard	2 2216	00 None	3 E-Z Flo Standard	0 Standard	0 None	0 None	1 Gauge	0 None	1 One Per Box
		4 4500	01 2216 psi Aluminum, 30 min.	4 E-Z Flo Modulair QD		1 Hansen	3 AV-3000 SureSeal Facepiece Kevlar® (M)		1 Hard Case	
			02 2216 psi Carbon, 30 min.			2 Schrader	6 AV-3000 SureSeal Facepiece Poly (M)		2 Soft Case	
			04 4500 psi Carbon, 30 min.			3 Cejn HK Plug	9 AV-3000 SureSeal Facepiece Rubber (M)			
			05 4500 psi Carbon, 45 min.			4 Hansen HK Plug				
			06 4500 psi Carbon, 60 min.			5 Hansen HK Socket				
			Drained							
			AA 2216 psi Aluminum, 30 min.							
			BB 2216 psi Carbon, 30 min.							
			DD 4500 psi Carbon, 30 min.							
			EE 4500 psi Carbon, 45 min.							
			FF 4500 psi Carbon, 60 min.							

1. Part Number:
Select a one or two digit number per box from the chart above that corresponds to your choice.

ACS	3	A	X	XX	X	0	X	X	1	X	1
-----	---	---	---	----	---	---	---	---	---	---	---

- ① When selecting a cylinder with the 3M™ Scott™ ACSi SCBA, the cylinder will ship with a unique 90-degree valve assembly.
- ② If you prefer an alternate facepiece style, head harness, or size, choose "none" and order an approved facepiece as a separate line item (see pages 21-26 for selection).

Example

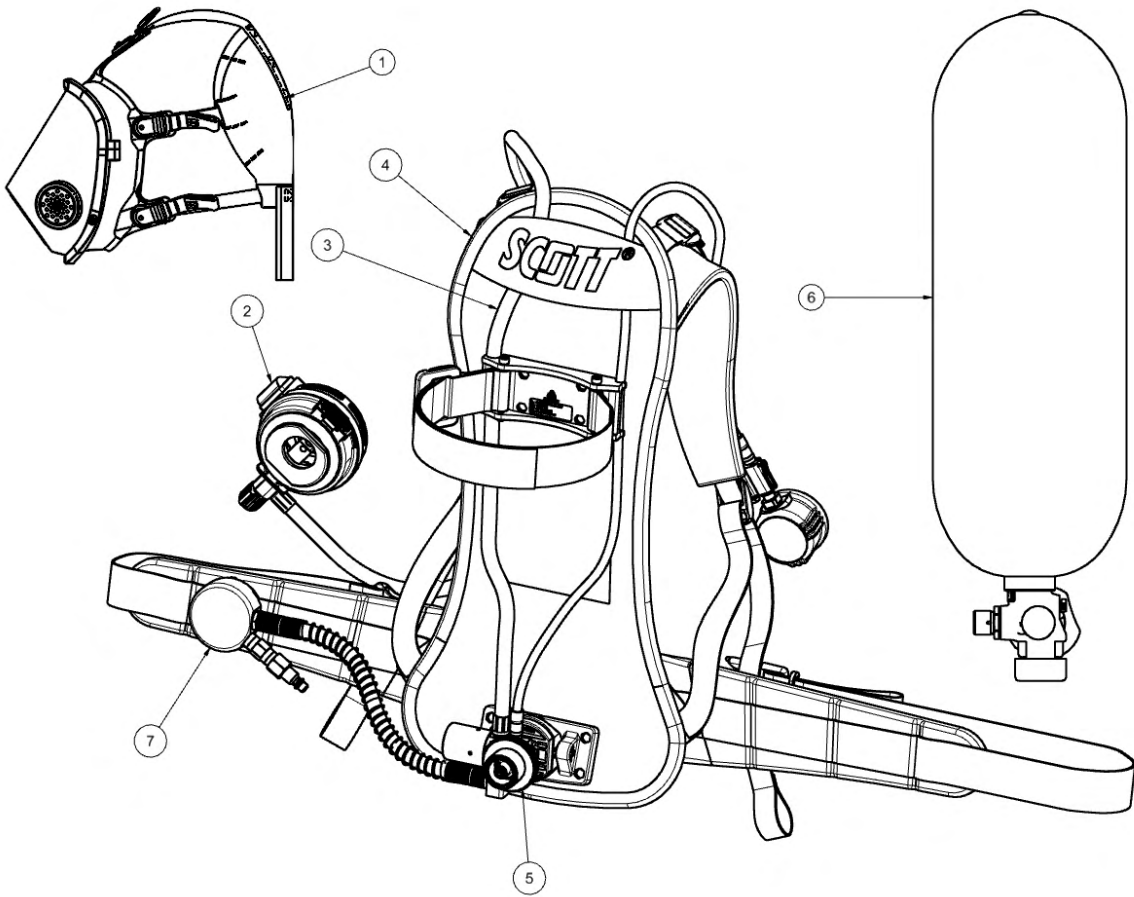
ASCSi SCBA
Standard harness, for 2216 psig cylinder, no cylinder, with E-Z Flo regulator, standard manifold, no airline, no facepiece, standard gauge, no case, shipped one per box.

ACS	3	A	2	00	3	0	0	0	1	0	1
-----	---	---	---	----	---	---	---	---	---	---	---

In this example, order (2216 psig) cylinder, facepiece and case separately.

This configurator is a guide to 3M™ Scott™ ACSi SCBA part numbers.

3M™ Scott™ ACSi SCBA



Self-Contained Breathing Apparatus (SCBA)

3M™ Scott™ ACSi SCBA Parts and Accessories

Item Number	Description	Pieces Per Pkg	Part Number
1	Facepieces		
1a	AV-3000 HT Facepiece	See Pages 21-23	
1b	AV-3000 SureSeal Facepiece	See Pages 24-26	
2	Regulator		
2a	E-Z Flo Regulator	1	804441-06
2b	E-Z Flo Modulair Quick Disconnect	1	804441-05
3	Quick Disconnect Low Pressure Hose Assembly	1	200867-01
4	Backframe and Harnesses		
4a	ACS (Advanced Carrying System) Standard Backframe/ Harness Assembly	1	200877-01
5	Pressure Reducers		
5a	2.2 Pressure Reducer Assembly	1	2019231
5b	4.5 Pressure Reducer Assembly	1	2019232
6	ACS Cylinder and Valve Assemblies (with ACS valve)		
6a	Aluminum, 30-Minute, 2216 psig	1	200874-01
6b	Carbon, 30-Minute, 2216 psig	1	200873-01
6c	Carbon, 30-Minute, 4500 psig	1	200870-01
6d	Carbon, 45-Minute, 4500 psig	1	200871-01
6e	Carbon, 60-Minute, 4500 psig	1	200872-01
7	Extended Duration Airline Assembly (not shown)		
7a	Airline Accessory Hose, Hansen Fitting	1	200879-01
7b	Airline Accessory Hose, Schrader Fitting	1	200879-02
7c	Airline Accessory Hose, Hansen HK Fitting	1	200879-03
7d	Airline Accessory Hose, CEJN Fitting	1	200879-05
8	Supply Hoses	See Page 59	

3M™ Scott™ SCBA Cylinders

30, 45, 60 and 75 Minute Assemblies

2216 psig 30 Minute Cylinder and Valve Assemblies

Part Number	Aluminum	Carbon	30-Year	Cylinder Valve
804101-01	●			●
804840-01		●		●
200131-01*		●		●
10010063**		●		

4500 psig, 30 Minute Cylinder and Valve Assemblies

Part Number	Carbon	ST7	30-Year	Cylinder Valve
804721-01	●			●
200128-01*	●			●
10009671**	●			
804721-11	●	●		●
200128-11*	●	●		●
804721-35	●		●	●
200128-35*	●		●	●

4500 psig, 45 Minute Cylinder and Valve Assemblies

Part Number	Carbon	ST7	30-Year	Cylinder Valve
804722-01	●			●
200129-01*	●			●
10009673**	●			
804722-11	●	●		●
200129-11*	●	●		●
804722-35	●		●	●
200129-35*	●		●	●

4500 psig, 60 Minute Cylinder and Valve Assemblies

Part Number	Carbon	ST7	30-Year	Cylinder Valve
804723-01	●			●
200130-01*	●			●
10009672**	●			
804723-11	●	●		●
200130-11*	●	●		●
804723-35	●		●	●
200130-35*	●		●	●

Self-Contained Breathing Apparatus (SCBA) □

5500 psig, 30 Minute, Cylinder and Valve Assemblies

Part Number	Carbon	ST7	30-Year	Cylinder Valve
200930-01	●			●
200967-01*	●			●
31002299**	●			

5500 psig, 45 Minute, Cylinder and Valve Assemblies

Part Number	Carbon	ST7	30-Year	Cylinder Valve
200969-01	●			●
200970-01*	●			●
31002300**	●			

5500 psig, 60 Minute, Cylinder and Valve Assemblies

Part Number	Carbon	ST7	30-Year	Cylinder Valve
200972-01	●			●
200973-01*	●			●
31002301**	●			

5500 psig, 75 Minute, Cylinder and Valve Assemblies

Part Number	Carbon	ST7	30-Year	Cylinder Valve
200975-01	●			●
200976-01*	●			●
31002302**	●			

ACSi Cylinder and Valve Assemblies

See Page 14

* Snap-Change Valve Assembly.

** Standard Carbon Cylinder (without valve).

Accessories for 3M™ Scott™ SCBA Cylinders

Part Number	Description
200952-02	Cylinder Sleeve Kit, 30-min, 4500 psi
200952-03	Cylinder Sleeve Kit, 45-min, 4500 psi
200952-04	Cylinder Sleeve Kit, 60-min, 4500 psi
200952-05	Cylinder Sleeve Kit, 15-min, 4500 psi
200952-06	Cylinder Sleeve Kit, 30-min, 5500 psi
200952-07	Cylinder Sleeve Kit, 45-min, 5500 psi
200952-08	Cylinder Sleeve Kit, 60-min, 5500 psi
200952-09	Cylinder Sleeve Kit, 75-min, 5500 psi
200952-10	Cylinder Sleeve Kit, 30-min, 2216 psi
200688-S430	Cylinder Protective Cap, Valve End, 30-min, 4500 psi
200688-D430	Cylinder Protective Cap, Dome End, 30-min, 4500 psi
200688-S445	Cylinder Protective Cap, Valve End, 45-min, 4500 psi
200688-D445	Cylinder Protective Cap, Dome End, 45-min, 4500 psi
200689-01*	Epoxy Pack (Epoxy for 8 caps, Mixing Nozzle, O&M Instructions)
31001465*	Applicator Gun/Mixer

* Required for installation of cylinder protective caps.

3M™ Scott™ Vision C5 Facepiece with E-Z Flo C5 Regulator



Designed using a platform approach, the 3M™ Scott™ Vision C5 Facepiece with E-Z Flo C5 Regulator incorporates the latest technology to enhance situational intelligence, while providing a customizable solution. Incorporating a wider field of view to see more and a new regulator design to breathe easier, the 3M™ Scott™ Vision C5 Facepiece with E-Z Flo C5 Regulator delivers the features that matter to help meet the changing needs of today's firefighter.

3M™ Scott™ Vision C5 Facepiece with E-Z Flo C5 Regulator with Kevlar® Head Harness

Part Number	Description
FP1SK0000000000	Small Faceseal
FP1MK0000000000	Medium Faceseal
FP1LK0000000000	Large Faceseal
FP1SK0100000000	Small Faceseal, Neck Strap Accessory
FP1MK0100000000	Medium Faceseal, Neck Strap Accessory
FP1LK0100000000	Large Faceseal, Neck Strap Accessory
FP1SKK0000000000	Small Faceseal, Spare Headnet
FP1MKK0000000000	Medium Faceseal, Spare Headnet
FP1LKK0000000000	Large Faceseal, Spare Headnet
FP1SKK1000000000	Small Faceseal, Neck Strap Accessory, Spare Headnet
FP1MKK1000000000	Medium Faceseal, Neck Strap Accessory, Spare Headnet
FP1LKK1000000000	Large Faceseal, Neck Strap Accessory, Spare Headnet

Accessories for 3M™ Scott™ Vision C5 Facepiece with E-Z Flo C5 Regulator

Part Number	Description
201520-01	Fit Test Adapter
201682-01	Neck Strap Accessory
200372-52FC5	Spectacle Kit, 52 mm, Frame only
200372-60FC5	Spectacle Kit, 60 mm, Frame only
805534-01	Fleece Bag
31004024	Laundry Bag

3M™ Scott™ E-Z Flo C5 Regulator

Part Number	Description
201650-01	Quick Disconnect Hose, Hansen-type Fitting
201650-02	Continuous Hose, X3/X3 Pro CGA, 3-Wire
201650-03	Continuous Hose, X3/X3 Pro SC, 3-Wire
201650-04	Continuous Hose, AP/WF
201650-05	Quick Disconnect Hose, Rectus-type Fitting
201650-06	Continuous Hose, X3/X3 Pro CGA, 6-Wire
201650-07	Continuous Hose, X3/X3 Pro SC, 6-Wire

3M™ Scott™ Vision C5 Facepiece with E-Z Flo C5 Regulator



3M™ Scott™ Vision C5 Facepiece with E-Z Flo C5 Regulator Parts and Accessories










Item Number	Description	Pieces Per Pkg	Part Number
1	<i>Nosecup Assembly</i>		
1a	Nosecup Assembly, Small	1	201484-01
1b	Nosecup Assembly, Medium	1	201486-01
1c	Nosecup Assembly, Large	1	201488-01
2	<i>Inhalation Valve</i>	2	31002788
3	<i>Temple Tab, Left</i>	1	201491-01
4	<i>Temple Tab, Right</i>	1	201500-01
5	<i>Sizing Stud</i>		
5a	Large, Red	2	31003601
5b	Medium, Black	2	31003602
5c	Small, Green	2	31003603
6	<i>Headnet Buckle</i>	2	201502-02
7	<i>Headnet Buckle with D-ring</i>	2	201502-01
8	<i>Headnet Assembly (Includes Headnet, Temple and Neck Straps)</i>		
8a	Headnet Assembly, Small	1	201496-03
8b	Headnet Assembly, Medium	1	201496-02
8c	Headnet Assembly, Large	1	201496-01
9	<i>Temple Strap</i>	1	804178-05
10	<i>Neck Strap</i>	1	804178-03
11	<i>Accessory Neck Strap</i>	1	201682-01
Not shown	Fleece Facepiece Bag	1	805534-01

3M™ Scott™ AV-3000 HT Facepiece












The 3M™ Scott™ AV-3000 HT Facepiece is fully interchangeable with the full line of 3M Scott SCBA, air-supplied respirators, and air purifying respirators, as well as 3M Scott communications products providing "Top-Down Convertibility" options. It is designed to minimize equipment inventories, simplify the complexities of user training when issued as a single personal issue facepiece and reduce redundant facepiece fit tests.

3M™ Scott™ AV-3000 HT Facepiece with Kevlar® Head Harness, 5-Strap

Part Number	Description
201215-01	Small Faceseal 
201215-02	Medium Faceseal 
201215-03	Large Faceseal 
201215-04	Small Faceseal, Right Comm Bracket 
201215-05	Medium Faceseal, Right Comm Bracket 
201215-06	Large Faceseal, Right Comm Bracket 
201215-07	Small Faceseal, Left Comm Bracket 
201215-08	Medium Faceseal, Left Comm Bracket 
201215-09	Large Faceseal, Left Comm Bracket 

3M™ Scott™ AV-3000 HT Facepiece with Kevlar® Head Harness, 4-Strap

Part Number	Description
201215-21	Small Faceseal 
201215-22	Medium Faceseal 
201215-23	Large Faceseal 
201215-27	Small Faceseal, Right Comm Bracket 
201215-28	Medium Faceseal, Right Comm Bracket 
201215-29	Large Faceseal, Right Comm Bracket 
201215-34	Small Faceseal, Left Comm Bracket 
201215-35	Medium Faceseal, Left Comm Bracket 
201215-36	Large Faceseal, Left Comm Bracket 



3M™ Scott™ AV-3000 HT Facepiece with Kevlar® Head Harness is NIOSH CBRN APR approved with 3M™ Scott™ 40 mm First Responder Adapter and 3M™ Scott™ CBRN Cap-1 Canister.

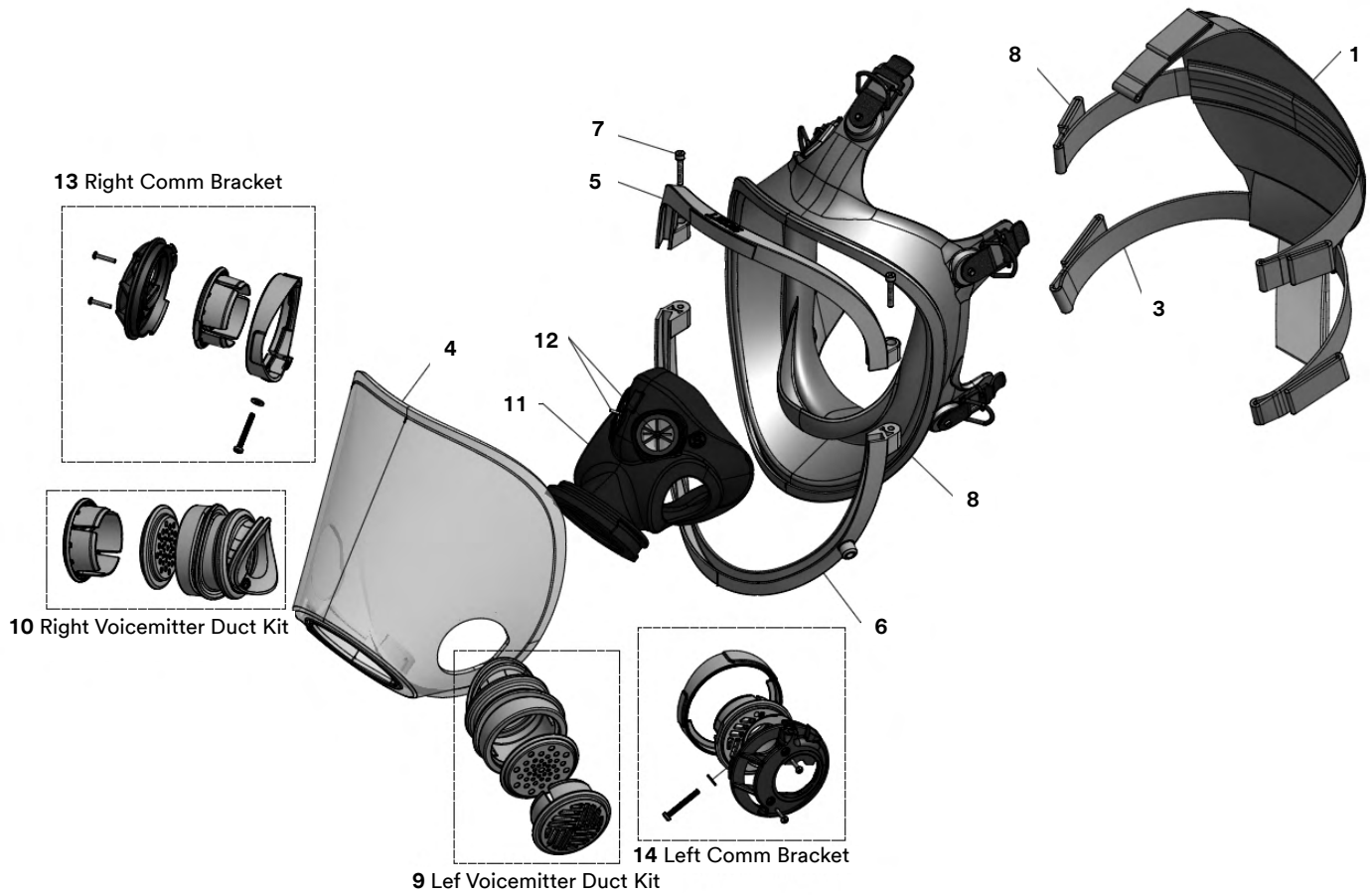
3M™ Scott™ AV-3000 HT Facepiece Parts and Accessories

Item Number	Description	Pieces Per Pkg	Part Number
1	Complete Head Harness Assemblies		
1a	Kevlar® Head Harness, 5-Strap*	1	200803-01
1b	Kevlar® Head Harness, 4-Strap, Small	1	201467-01
1c	Kevlar® Head Harness, 4-Strap, Medium/Large	1	201467-02
2	Temple Straps		
2a	Kevlar® Temple Strap**	1	804178-03
3	Neck Straps		
3a	Kevlar® Neck Strap	1	804176-03
4	Facepiece Lens (Fenestra, Drilled) (AV-3000 HT Facepiece only)	1	201134-01
5	Upper Bezel (AV-3000 HT Facepiece only)	1	31002809
6	Lower Bezel (AV-3000 HT Facepiece only)	1	31002810
7	Bezel Screw	2	33361-020
8	Facepiece Seals (AV-3000 SureSeal Facepiece and AV-3000 HT Facepiece)		
8a	AV-3000 SureSeal Facepiece, FaceSeal, Small	1	200802-01
8b	AV-3000 SureSeal Facepiece, FaceSeal, Medium	1	200802-02
8c	AV-3000 SureSeal Facepiece, FaceSeal, Large	1	200802-03
8d	AV-3000 SureSeal Facepiece, FaceSeal, 4-Strap, Small	1	200802-04
8e	AV-3000 SureSeal Facepiece, FaceSeal, 4-Strap, Medium	1	200802-05
8f	AV-3000 SureSeal Facepiece, FaceSeal, 4-Strap, Large	1	200802-06
9	Left Voicemitter Duct Kit (AV-3000 HT Facepiece only)	1	201311-02
10	Right Voicemitter Duct Kit (AV-3000 HT Facepiece only)	1	201311-01
11	Nosecups (AV-3000 HT Facepiece ONLY)		
11a	Nosecup with Red Valves, Small	1	201126-02
11b	Nosecup with Red Valves, Medium	1	201127-02
11c	Nosecup with Red Valves, Large	1	201128-02
12	Inhalation Valve, Red (AV-3000 HT Facepiece only)	2	31002788
13	Comm Bracket Kit, Right (AV-3000 HT Facepiece only)	1	201210-01
14	Comm Bracket Kit, Left (AV-3000 HT Facepiece only)	1	201210-02
Not shown	Fleece Facepiece Bag	1	805534-01
Not shown	Neck Strap Accessory	1	804088-02

* Includes the temple strap sewn into the headnet.

** Replacement of the temple strap on 3M™ Scott™ AV-3000 HT Facepiece, 5-Strap products produced after August 2015 will require replacement of headnet assembly (P/N 200803-01).

3M™ Scott™ AV-3000 HT Facepiece









3M™ Scott™ AV-3000 SureSeal Facepiece



It is designed to minimize equipment inventories, simplify the complexities of user training when issued as a single personal issue facepiece and reduce redundant facepiece fit tests.

3M™ Scott™ AV-3000 SureSeal Facepiece with Kevlar® Head Harness

Part Number	Description	Pieces Per Pkg
805773-81	Small Face Seal 	1
805773-82	Medium Face Seal 	1
805773-83	Large Face Seal 	1
805773-84	Small Face Seal, Comm Bracket 	1
805773-85	Medium Face Seal, Comm Bracket 	1
805773-86	Large Face Seal, Comm Bracket 	1



3M™ Scott™ AV-3000 SureSeal Facepiece with Kevlar® Head Harness is NIOSH CBRN APR approved with 3M™ Scott™ 40 mm First Responder Adapter and 3M™ Scott™ CBRN Cap-1 Canister, and with the 3M™ Scott™ C420 CBRN Powered Air Purifying Respirator (PAPR) as configured on page 59.

3M™ Scott™ AV-3000 SureSeal Facepiece with Polyester Head Harness

Part Number	Description	Pieces Per Pkg
805774-81	Small Face Seal	1
805774-82	Medium Face Seal	1
805774-83	Large Face Seal	1

3M™ Scott™ AV-3000 SureSeal Facepiece with Rubber Head Harness

Part Number	Description	Pieces Per Pkg
805775-81	Small Face Seal 	1
805775-82	Medium Face Seal 	1
805775-83	Large Face Seal 	1



3M™ Scott™ AV-3000 SureSeal Facepiece with Rubber Head Harness is NIOSH CBRN APR approved with 3M™ Scott™ 40 mm First Responder Adapter (200423-01) and 3M™ Scott™ CBRN Cap-1 Canister (045135).

3M™ Scott™ AV-3000 SureSeal Facepiece Parts and Accessories

Item Number	Description	Pieces Per Pkg	Part Number
1	Complete Head Harness Assemblies		
1a	Kevlar® Head Harness (AV-3000 SureSeal Facepiece)*	1	200803-01
1d	Polyester Head Harness (AV-3000 SureSeal Facepiece)*	1	200965-01
1g	Rubber Head Harness (AV-3000 SureSeal Facepiece)	1	10008522
2	Temple Straps (AV-3000 SureSeal Facepiece)		
2a	Kevlar® Temple Strap**	1	804178-03
2b	Polyester Temple Strap**	1	804061-01
3	Neck Straps (AV-3000 SureSeal Facepiece)		
3a	Kevlar® Neck Strap	1	804176-03
3b	Polyester Neck Strap	1	803920-02
5	Facepiece Lens (Fenestra, Drilled) (AV-3000 SureSeal Facepiece)	1	805345-01
6	Upper Bezel	1	10011024
7	Lower Bezel	1	10011025
8	Bezel Screw	1	33335-022
9	Facepiece Seals		
9a	AV-3000 SureSeal Facepiece, FaceSeal, Small	1	200802-01
9b	AV-3000 SureSeal Facepiece, FaceSeal, Medium	1	200802-02
9c	AV-3000 SureSeal Facepiece, FaceSeal, Large	1	200802-03
10	Voicemitter	1	803759-01
11	Left Voicemitter Dust Assembly	1	805339-01
12	Right Voicemitter Duct Assembly	1	805339-02
13	Nosecups (AV-3000 SureSeal Facepiece)		
13a	Nosecup Grey Small	1	31001043
13b	Nosecup Grey Medium	1	31001044
13c	Nosecup Grey Large	1	31001045
Not shown	Fleece Facepiece Bag	1	805534-01
Not shown	EPIC Communications Clamp, Right Side Only	1	200715-01
Not shown	Neck Strap Accessory	1	804088-02

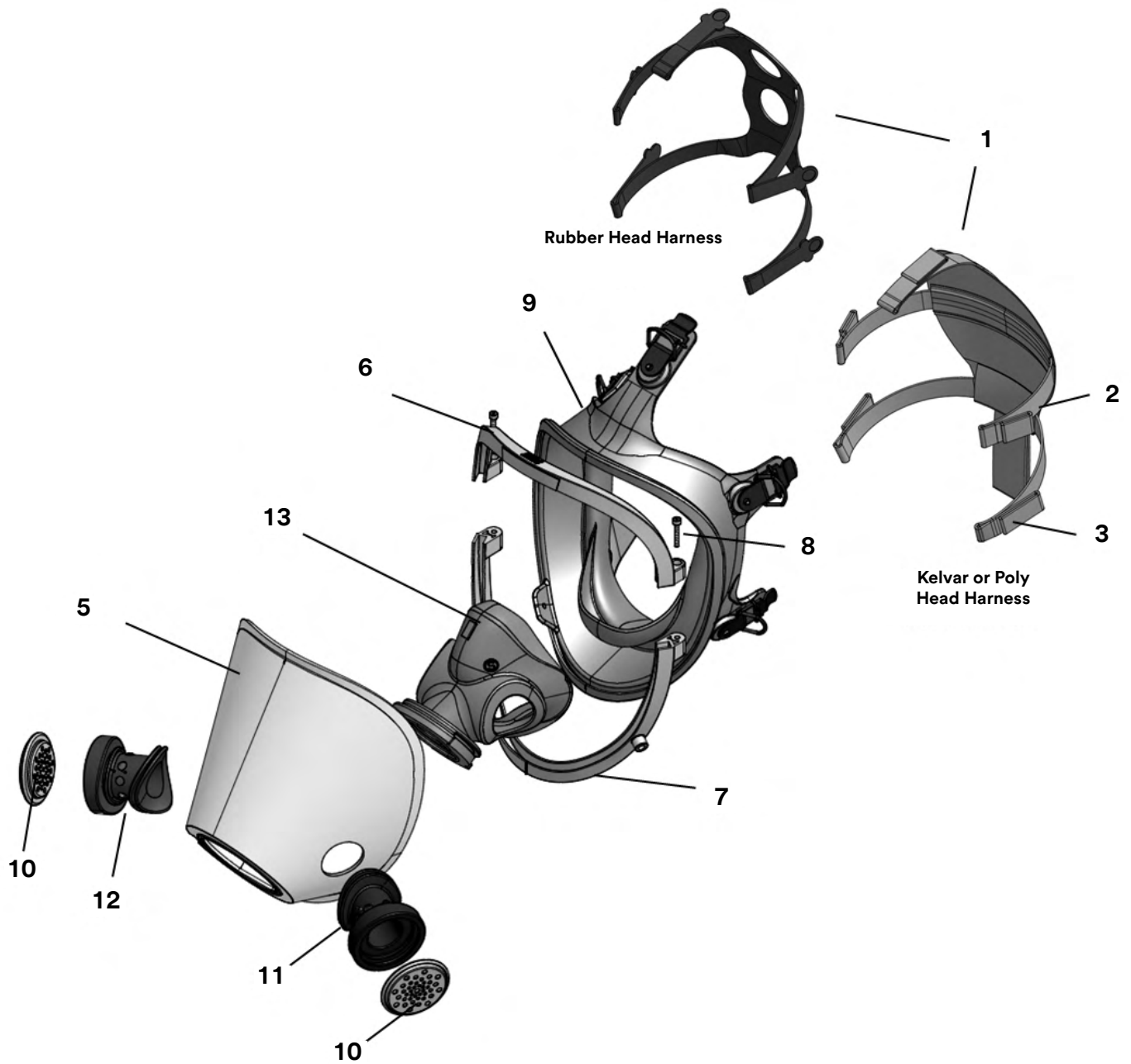
* Includes the temple strap sewn into the headnet.

** Replacement of the temple strap on 3M™ Scott™ AV-3000 SureSeal Facepiece assemblies produced after August 2015 will require replacement of headnet assembly (Kevlar® P/N 200803-01 or Polyester PN 200965-01).

Lens Kit Accessories for 3M™ Scott™ AV-3000 Series Facepieces

Part Number	Description
805753-01	Standard Eyeglass Kit
200372-52F	52 mm Wire Frame Eyeglass Kit
200372-60F	60 mm Wire Frame Eyeglass Kit

3M™ Scott™ AV-3000 SureSeal Facepiece



3M™ Scott™ Weld-O-Vista Facepiece



Fully interchangeable with the full line of 3M Scott SCBA, air-supplied respirators, and air-purifying respirators, the 3M™ Scott™ Weld-O-Vista facepiece also works with the 3M Scott communications products providing “Top-Down Convertibility” options. It is designed to minimize equipment inventories, simplify the complexities of user training when issued as a single personal issue facepiece and reduce redundant facepiece fit tests.

3M™ Scott™ Weld-O-Vista Facepiece with Kevlar® Head Harness

Part Number	Description	Pieces Per Pkg
805438-01	Small Faceseal	1
805438-02	Large Faceseal	1
805438-03	X-Large Faceseal	1
805438-08	Comfort Seal Faceseal	1

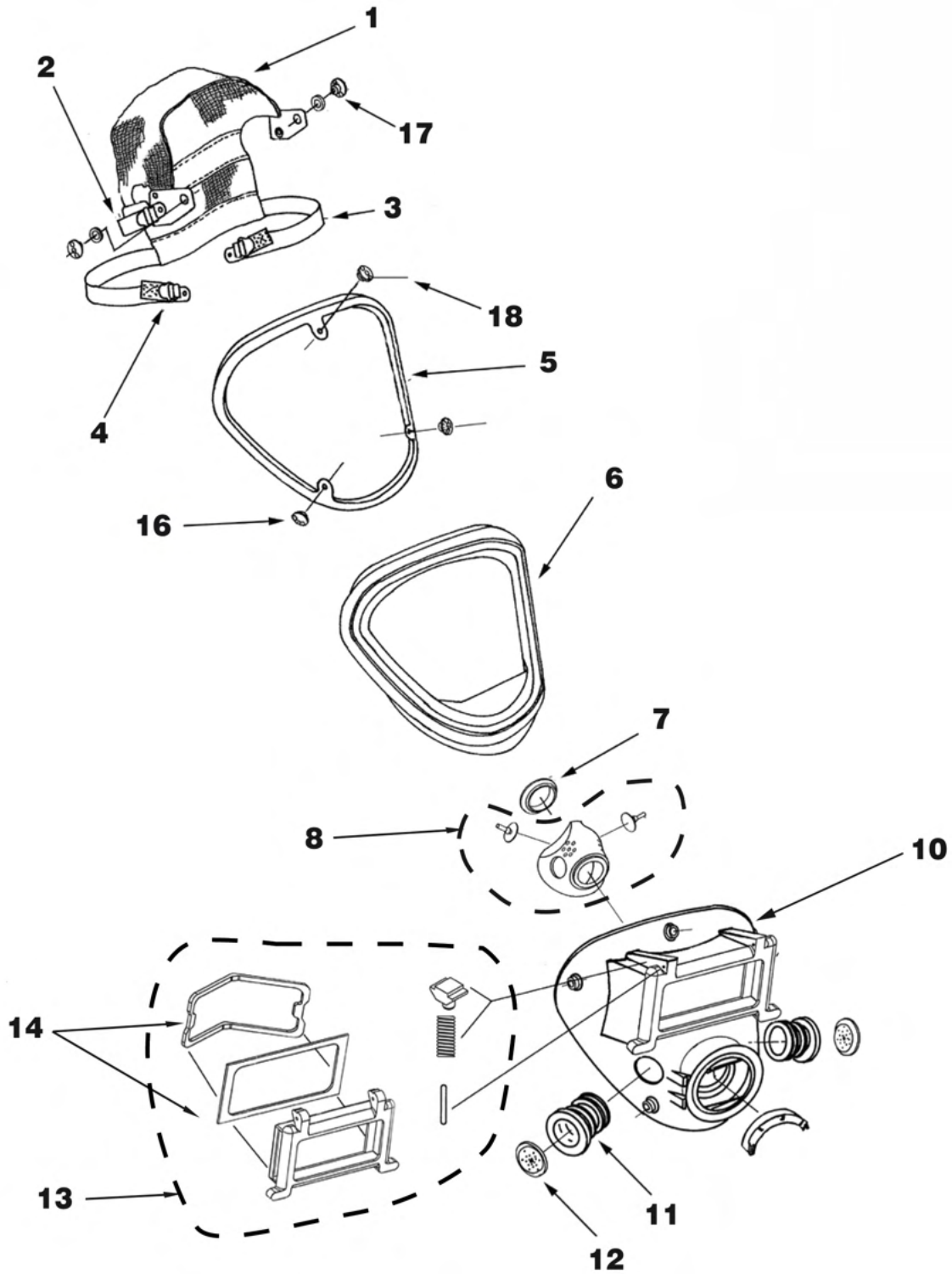
Lens Kit Accessories for 3M™ Scott™ Weld-O-Vista Facepiece

Part Number	Description
804442-01	Standard Eyeglass Kit
200371-52F	52 mm Wire Frame Eyeglass Kit
200371-60F	60 mm Wire Frame Eyeglass Kit

3M™ Scott™ Weld-O-Vista Facepiece Parts and Accessories

Item Number	Description	Pieces Per Pkg	Part Number
1	Head Harnesses		
1a	Kevlar® Head Harness Assembly	1	804177-01
2	Temple Straps		
2a	Kevlar® Temple Strap	1	804178-01
3	Neck Straps		
3a	Kevlar® Neck Strap	1	804176-01
4	Lower Buckle Strap	1	803732-01
5	Lens Frame	1	10008068
6	Facepiece Seals		
6a	Faceseal, Small (Green)	1	10005913
6b	Faceseal, Large (Black)	1	10005135
6c	Faceseal, X-Large (Red)	1	10006212
6d	Faceseal, Comfort Seal (Black)	1	10009779
7	Nosecup Retaining Ring	1	10008398
8	Nosecup Assembly (Nosecup with Inhalation Valves)	1	804014-01
10	Lens Assemblies		
10a	Weld-O-Vista Facepiece Assembly (Lens with Voicemitter, Lens Holder, Nosecup)	1	805574-01
10b	Weld-O-Vista Facepiece Lens Assembly Kit (Lens and Lens Holder)	1	805537-01
11	Voicemitter Duct	1	10008400
12	Voicemitter	1	804010-01
13	Lens Holder Assembly	1	805182-02
14	Lens Separator and Lens Retainer Kit	1	805536-01
Not shown	Fleece Facepiece Bag	1	805534-01

3M™ Scott™ Weld-O-Vista Facepiece



3M™ Scott™ Vision C5 Facepiece with Radio Direct Interface



3M™ Scott™ Vision C5 Facepiece with Radio Direct Interface and Bone Conduction Headphone (Motorola Compatible)

Part Number	Description
FP1SK0002M10010	Vision C5 Facepiece with Radio Direct Interface and Bone Conduction Headphone, Small, Kevlar® Headnet, Motorola®, English
FP1MK0002M10010	Vision C5 Facepiece with Radio Direct Interface and Bone Conduction Headphone, Medium, Kevlar® Headnet, Motorola®, English
FP1LK0002M10010	Vision C5 Facepiece with Radio Direct Interface and Bone Conduction Headphone, Large, Kevlar® Headnet, Motorola®, English
FP1SK0102M10010	Vision C5 Facepiece with Radio Direct Interface and Bone Conduction Headphone, Small, Kevlar® Headnet, Motorola®, English, Neck Strap Accessory
FP1MK0102M10010	Vision C5 Facepiece with Radio Direct Interface and Bone Conduction Headphone, Medium, Kevlar® Headnet, Motorola®, English, Neck Strap Accessory
FP1LK0102M10010	Vision C5 Facepiece with Radio Direct Interface and Bone Conduction Headphone, Large, Kevlar® Headnet, Motorola®, English, Neck Strap Accessory
FP1SKK002M10010	Vision C5 Facepiece with Radio Direct Interface and Bone Conduction Headphone, Small, Kevlar® Headnet, Motorola®, English, Spare Headnet
FP1MKK002M10010	Vision C5 Facepiece with Radio Direct Interface and Bone Conduction Headphone, Medium, Kevlar® Headnet, Motorola®, English, Spare Headnet
FP1LKK002M10010	Vision C5 Facepiece with Radio Direct Interface and Bone Conduction Headphone, Large, Kevlar® Headnet, Motorola®, English, Spare Headnet
FP1SKK102M10010	Vision C5 Facepiece with Radio Direct Interface and Bone Conduction Headphone, Small, Kevlar® Headnet, Motorola®, English, Neck Strap Accessory, Spare Headnet
FP1MKK102M10010	Vision C5 Facepiece with Radio Direct Interface and Bone Conduction Headphone, Medium, Kevlar® Headnet, Motorola®, English, Neck Strap Accessory, Spare Headnet
FP1LKK102M10010	Vision C5 Facepiece with Radio Direct Interface and Bone Conduction Headphone, Large, Kevlar® Headnet, Motorola®, English, Neck Strap Accessory, Spare Headnet

Note: See Configurator for more options.

3M™ Scott™ Vision C5 Facepiece with Radio Direct Interface and Bone Conduction Headphone (L3Harris Compatible)

Part Number	Description
FP1SK0002H10010	Vision C5 Facepiece with Radio Direct Interface and Bone Conduction Headphone, Small, Kevlar® Headnet, L3Harris®, English
FP1MK0002H10010	Vision C5 Facepiece with Radio Direct Interface and Bone Conduction Headphone, Medium, Kevlar® Headnet, L3Harris®, English
FP1LK0002H10010	Vision C5 Facepiece with Radio Direct Interface and Bone Conduction Headphone, Small, Kevlar® Headnet, L3Harris®, English, Neck Strap Accessory
FP1SK0102H10010	Vision C5 Facepiece with Radio Direct Interface and Bone Conduction Headphone, Small, Kevlar® Headnet, L3Harris®, English, Neck Strap Accessory
FP1MK0102H10010	Vision C5 Facepiece with Radio Direct Interface and Bone Conduction Headphone, Medium, Kevlar® Headnet, L3Harris®, English, Neck Strap Accessory
FP1LK0102H10010	Vision C5 Facepiece with Radio Direct Interface and Bone Conduction Headphone, Large, Kevlar® Headnet, L3Harris®, English, Neck Strap Accessory
FP1SKK002H10010	Vision C5 Facepiece with Radio Direct Interface and Bone Conduction Headphone, Small, Kevlar® Headnet, L3Harris®, English, Spare Headnet
FP1MKK002H10010	Vision C5 Facepiece with Radio Direct Interface and Bone Conduction Headphone, Medium, Kevlar® Headnet, L3Harris®, English, Spare Headnet
FP1LKK002H10010	Vision C5 Facepiece with Radio Direct Interface and Bone Conduction Headphone, Large, Kevlar® Headnet, L3Harris®, English, Spare Headnet
FP1SKK102H10010	Vision C5 Facepiece with Radio Direct Interface and Bone Conduction Headphone, Small, Kevlar® Headnet, L3Harris®, English, Neck Strap Accessory, Spare Headnet
FP1MKK102H10010	Vision C5 Facepiece with Radio Direct Interface and Bone Conduction Headphone, Medium, Kevlar® Headnet, L3Harris®, English, Neck Strap Accessory, Spare Headnet
FP1LKK102H10010	Vision C5 Facepiece with Radio Direct Interface and Bone Conduction Headphone, Large, Kevlar® Headnet, L3Harris®, English, Neck Strap Accessory, Spare Headnet

3M™ Scott™ Vision C5 Charger

Part Number	Description
CF5V20S0	Vision C5 Charger (qty 1), Low-Power Supply (AC)
CF5V2SS0	Vision C5 Charger (qty 1), Single Mouting Bracket, Low-Power Supply (AC)
CF5V2SHO	Vision C5 Charger (qty 1), Single Mouting Bracket, Hard-Wired Power Supply
CF5V2DDB	Vision C5 Charger (qty 2), Double Mouting Bracket, High-Power Supply (AC)
CF5V2DH0	Vision C5 Charger (qty 2), Double Mouting Bracket, Hard-Wired Power Supply
CF5V2TDB	Vision C5 Charger (qty 3), Triple Mouting Bracket, High-Power Supply (AC)
CF5V2TH0	Vision C5 Charger (qty 3), Triple Mouting Bracket, Hard-Wired Power Supply

Note: See Configurator for more options.

Accessories for 3M™ Scott™ Vision C5 Facepiece

Part Number	Description
201506-01	Lithium-ion Battery, Vision C5 Facepiece

3M™ Scott™ Vision C5 Facepiece with Radio Direct Interface Install Kit

Part Number	Description
70-0020-0994-5	Vision C5 Facepiece with Radio Direct Interface Install Kit
70-0020-0995-2	Vision C5 Facepiece with Radio Direct Interface and Bone Conduction Headphone Install Kit

3M™ Scott™ EPIC 3 Voice Communications



3M™ Scott™ EPIC 3 RDI Voice Communications

Part Number	Description
201276-11	EPIC 3 Radio Direct Interface Voice Amplifier, Motorola APX radios, *Open Bracket Configuration
201276-12	EPIC 3 Radio Direct Interface Voice Amplifier, Motorola APX radios, Closed Bracket Configuration
201276-21	EPIC 3 Radio Direct Interface Voice Amplifier, L3Harris XL radios, *Open Bracket Configuration
201276-22	EPIC 3 Radio Direct Interface Voice Amplifier, L3Harris XL radios, Closed Bracket Configuration

3M™ Scott™ EPIC 3 RI Voice Communication System

Part Number	Description
201276-01	EPIC 3 Radio Interface Voice Amplifier, *Open Bracket Configuration
201276-02	EPIC 3 Radio Interface Voice Amplifier, Closed Bracket Configuration

3M™ Scott™ EPIC 3 Voice Amplifier

Part Number	Description
201275-01	EPIC 3 Voice Amplifier, *Open Bracket Configuration
201275-02	EPIC 3 Voice Amplifier, Closed Bracket Configuration

3M™ Scott™ EPIC 3 Bluetooth Lapel Speaker Microphone

Part Number	Description
201277-02	EPIC 3 Bluetooth Lapel Speaker Microphone, for use with Motorola HT1000, XTS series radios
201277-04	EPIC 3 Bluetooth Lapel Speaker Microphone, for use with Motorola HT750/1250/1550 series radios
201277-06	EPIC 3 Bluetooth Lapel Speaker Microphone, for use with Motorola Mototrbo XPR Series, APX series radios
201277-07	EPIC 3 Bluetooth Lapel Speaker Microphone, for use with Kenwood TK280/290/380/390 series radios
201277-11	EPIC 3 Bluetooth Lapel Speaker Microphone, for use with Motorola Radius GP300 series radios
201277-22	EPIC 3 Bluetooth Lapel Speaker Microphone, for use with L3Harris P5400/7300, Unity Series and XG 25/75 series radios

*Open bracket configuration required when used with 3M™ Scott™ Air-Pak™ SCBA compliant to NFPA 1981, 2013 Edition and NFPA 1981, 2018 Edition standards.

3M™ Scott™ EPIC 3 Lapel Speaker Microphone

Part Number	Description
201224-02	EPIC 3 Lapel Speaker Microphone, for use with Motorola HT1000, XTS series radios
201224-04	EPIC 3 Speaker Microphone, for use with Motorola HT750/1250/1550 series radios
201224-06	EPIC 3 Lapel Speaker Microphone, for use with Motorola Mototrbo XPR Series, APX series radios
201224-07	EPIC 3 Lapel Speaker Microphone, for use with Kenwood TK280/290/380/390 series radios
201224-22	EPIC 3 Speaker Microphone, for use with L3Harris P5400/7300, Unity Series and XG 25/75 series radios

3M™ Scott™ Radio Interface PTT Paddle Accessory

Part Number	Description
201675-02	Radio Interface PTT Paddle, for use with Motorola HT1000, XTS series radios
201675-04	Radio Interface PTT Paddle, for use with Motorola HT750/1250/1550 series radios
201675-06	Radio Interface PTT Paddle, for use with Motorola APX/XPR/DP/DGP/MTP series radios
201675-07	Radio Interface PTT Paddle, for use with JVCKenwood multi-pin connector TK and NX series radios
201675-11	Radio Interface PTT Paddle, for use with Motorola Radius GP300 series radios
201675-21	Radio Interface PTT Paddle, for use with L3Harris XL-200, Unity XG-100 radios
201675-22	Radio Interface PTT Paddle, for use with L3Harris P5400/7300, XG 25/75 radios
201675-28	Radio Interface PTT Paddle, for use with JVCKenwood two-pin connector TK and NX series radios

Accessories for 3M™ Scott™ EPIC 3 Voice Communication System

Part Number	Description
201226-01	3M™ Scott™ EPIC 3 Voice Communication System PTT Ring
201227-01	3M™ Scott™ EPIC 3 Voice Communication System PTT Paddle
201228-01	3M™ Scott™ EPIC 3 Voice Communication System Throat Mic
201229-01	3M™ Scott™ EPIC 3 Voice Communication System Command Communication Headset

Facepiece Brackets for 3M™ Scott™ EPIC 3 Voice Communication System

Part Number	Description
201210-01	3M™ Scott™ AV-3000 HT Facepiece Open Bracket, Right (for use with 3M™ Scott™ EPIC 3 Voice Communication System only)
201210-02	3M™ Scott™ AV-3000 HT Facepiece Open Bracket, Left (for use with 3M™ Scott™ EPIC 3 Voice Communication System only)
*200715-01	3M™ Scott™ AV-3000 Series Facepiece Closed Bracket, Right (for use with all 3M™ Scott™ EPIC 3 Voice Communications products)

*Compatible with 3M™ Scott™ AV-3000 HT Facepiece and 3M™ Scott™ AV-3000 SureSeal Facepiece.

3M™ Scott™ Monitor/Monitor Pro Telemetry Software Solution



The 3M™ Scott™ Monitor Telemetry Software Solution puts critical, real-time responder information at incident command's fingertips. Designed for use on modern, touch-enabled PCs, Monitor is an intuitive and powerful air management/telemetry solution meant to complement existing accountability practices. Monitor works with all SEMS-equipped 3M™ Scott™ Air-Pak™ SCBA, though some features are only available when used with the 3M™ Scott™ Air-Pak™ X3 Pro SCBA.

Core Components

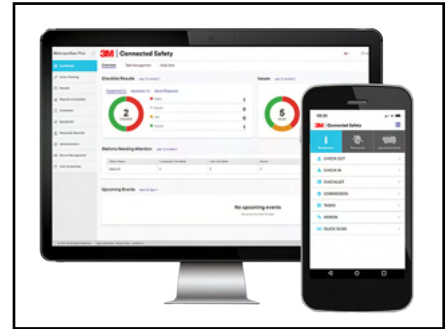
Part Number	Description
8005197	Monitor Software Base Command Install
*8006951	Monitor Software Pro Edition Add-on
201088-03	SEMS II USB Gateway
201051-01	SEMS II Repeater

*Required for compatibility with SEMS II Pro. Must be purchased in addition to Monitor Software Base Command Install, part number 8005197.

Accessories / Hardware

Part Number	Description
200773-01	RFID Reader/Writer
200774-01	RFID cards, 10 pack
201279-01	Tally Tag, Red, 10 pack
201279-02	Tally Tag, White, 10 pack
201279-03	Tally Tag, Black, 10 pack
201279-04	Tally Tag, Yellow, 10 pack
201279-05	Tally Tag, Orange, 10 pack
201280-01	Button Tag, 10 pack

3M™ Safety & Inspection Manager for Emergency Services



3M™ Safety & Inspection Manager Software for Emergency Services (SIM-ES) empowers command staff to take a proactive approach to managing records and documentation of training, qualification, service, maintenance and inspections, as well as cleaning and decontamination of PPE and other equipment. 3M™ Safety & Inspection Manager for Emergency Services also enables fire departments to track exposure reduction programs and activities. Alerts and notifications of impending and overdue activities keep your agency on track and support adherence of regulatory requirements.

Part of 3M™ Connected Safety, SIM is a platform that connects people, information and systems to help you improve productivity, increase situational awareness, and run an efficient health and safety program.

3M™ Safety & Inspection Manager for Emergency Services Packages

Part Number	Description
6100003148	3M™ Safety & Inspection Manager for Emergency Services Bronze Package (1-25 Personnel) – One Year
6100003149	3M™ Safety & Inspection Manager for Emergency Services Silver Package (26-50 Personnel) – One Year
6100003150	3M™ Safety & Inspection Manager for Emergency Services Gold Package (51-75 Personnel) – One Year
6100003151	3M™ Safety & Inspection Manager for Emergency Services Custom (>75 Personnel) – One Year

3M™ Safety & Inspection Manager for Emergency Services Training and Services

Part Number	Description
6010002882	On-site training for 3M™ Safety & Inspection Manager for Emergency Services – Full Day
6100001903	Remote training for 3M™ Safety & Inspection Manager for Emergency Services – Per Hour

Note: 3M™ Safety & Inspection Manager for Emergency Services is an exciting collaboration between 3M Connect Safety and 3M Scott Fire & Safety that leverages the proven Safety and Inspection Manager solution and optimizes the offering for the fire service. Due to the unique nature of this offering, 3M™ Safety & Inspection Manager for Emergency Services is a direct sale only product through 3M Scott Fire & Safety.

To register for a product demonstration or claim a 90-day free trial, customers may contact 3M Scott Customer Service at 1-800-247-7257 or visit 3M.com/SIM-ES

3M™ Scott™ V320 Thermal Imager



3M™ Scott™ V320 Thermal Imager

Part Number	Temp	Description
8007134	F	V320 Thermal Imager (Fahrenheit) – Kit includes two batteries, retractable lanyard, desktop charger and truck holder kit in a carton. Three years of warranty.
8007135	C	V320 Thermal Imager (Celsius) – Kit includes two batteries, retractable lanyard, desktop charger and truck holder kit in a carton. Three years of warranty.

Accessories for 3M™ Scott™ V320 Thermal Imager

Part Number	Description
8007136	V-Series Retractable Lanyard
8007137	V-Series Battery Charger
8007138	V-Series Charger Power Supply
8007139	V-Series Standard Battery
78-8151-2502-2	Truck Mount Holder

3M™ Scott™ Sight In-Mask Thermal Imager

For use with 3M™ Scott™ AV-3000 HT Facepiece.



3M™ Scott™ Sight In-Mask Thermal Imager

Part Number	Description
201581-01	Sight In-Mask Thermal Imager Full Kit – Small 5 Strap
201581-02	Sight In-Mask Thermal Imager Full Kit w/comms* – Small 5 Strap
201581-11	Sight In-Mask Thermal Imager Full Kit – Small 4 Strap
201581-12	Sight In-Mask Thermal Imager Full Kit w/comms* – Small 4 Strap
201582-01	Sight In-Mask Thermal Imager Full Kit – Medium 5 Strap
201582-02	Sight In-Mask Thermal Imager Full Kit w/comms* – Medium 5 Strap
201582-11	Sight In-Mask Thermal Imager Full Kit – Medium 4 Strap
201582-12	Sight In-Mask Thermal Imager Full Kit w/comms* – Medium 4 Strap
201583-01	Sight In-Mask Thermal Imager Full Kit – Large 5 Strap
201583-02	Sight In-Mask Thermal Imager Full Kit w/comms* – Large 5 Strap
201583-11	Sight In-Mask Thermal Imager Full Kit – Large 4 Strap
201583-12	Sight In-Mask Thermal Imager Full Kit w/comms* – Large 4 Strap
201584-01	Sight In-Mask Thermal Imager Install Kit – Small
201584-02	Sight In-Mask Thermal Imager Install Kit w/comms* – Small
201585-01	Sight In-Mask Thermal Imager Install Kit – Medium
201585-02	Sight In-Mask Thermal Imager Install Kit w/comms* – Medium
201586-01	Sight In-Mask Thermal Imager Install Kit – Large
201586-02	Sight In-Mask Thermal Imager Install Kit w/comms* – Large

* Includes left-sided communications mounting bracket.

3M™ Scott™ Sight In-Mask Thermal Imager with Pro Package

For use with 3M™ Scott™ AV-3000 HT Facepiece.



3M™ Scott™ Sight In-Mask Thermal Imager with Pro Package

Part Number	Description
201581-01P	Sight In-Mask Thermal Imager with Pro Package Full Kit – Small 5 Strap
201581-02P	Sight In-Mask Thermal Imager with Pro Package Full Kit w/comms* – Small 5 Strap
201581-11P	Sight In-Mask Thermal Imager with Pro Package Full Kit – Small 4 Strap
201581-12P	Sight In-Mask Thermal Imager with Pro Package Full Kit w/comms* – Small 4 Strap
201582-01P	Sight In-Mask Thermal Imager with Pro Package Full Kit – Medium 5 Strap
201582-02P	Sight In-Mask Thermal Imager with Pro Package Full Kit w/comms* – Medium 5 Strap
201582-11P	Sight In-Mask Thermal Imager with Pro Package Full Kit – Medium 4 Strap
201582-12P	Sight In-Mask Thermal Imager with Pro Package Full Kit w/comms* – Medium 4 Strap
201583-01P	Sight In-Mask Thermal Imager with Pro Package Full Kit – Large 5 Strap
201583-02P	Sight In-Mask Thermal Imager with Pro Package Full Kit w/comms* – Large 5 Strap
201583-11P	Sight In-Mask Thermal Imager with Pro Package Full Kit – Large 4 Strap
201583-12P	Sight In-Mask Thermal Imager with Pro Package Full Kit w/comms* – Large 4 Strap
201584-01P	Sight In-Mask Thermal Imager with Pro Package Install Kit – Small
201584-02P	Sight In-Mask Thermal Imager with Pro Package Install Kit w/comms* – Small
201585-01P	Sight In-Mask Thermal Imager with Pro Package Install Kit – Medium
201585-02P	Sight In-Mask Thermal Imager with Pro Package Install Kit w/comms* – Medium
201586-01P	Sight In-Mask Thermal Imager with Pro Package Install Kit – Large
201586-02P	Sight In-Mask Thermal Imager with Pro Package Install Kit w/comms* – Large

* Includes left-sided communications mounting bracket.

3M™ Scott™ Universal Bluetooth® Programmer

Part Number	Description
**201243-02	Universal Bluetooth® Programmer

**For use in downloading thermal video recorded with the 3M™ Scott™ Sight In-Mask Thermal Imager with Pro Package.



3M™ Scott™ Pak-Tracker Firefighter Locator System



3M™ Scott™ Pak-Tracker Firefighter Locator System

Part Number	Description
200266-04	Pak-Tracker Hand-Held Receiver Kit

Accessories for 3M™ Scott™ Pak-Tracker Firefighter Locator System

Part Number	Description
200433-01	Pak-Tracker Hand-Held Receiver Truck Charging System, 12V DC
200433-02	Pak-Tracker Hand-Held Receiver Truck Charging System, 110V AC
200434-01	Pak-Tracker Hand-Held Receiver Desktop Charging System, 110V AC
200673-01*	Pak-Link Programmer/Data-logger

* For use in programming the Pak-Tracker ID of 3M™ Scott™ Air-Pak™ SCBA; may also be used for downloading PASS data from any 3M™ Scott™ Air-Pak™ SCBA certified to the NFPA 1981/1982, 2007 Edition standards (and newer), including pneumatic data introduced as part of the 2018 Edition standard.

Note: For 3M™ Scott™ Air-Pak™ X3 Pro SCBA, customers may also use the mobile application.

3M™ Scott™ RIT-Pak Fast Attack Emergency Air Supply System



3M™ Scott™ RIT-Pak Fast Attack Emergency Air Supply System (without Cylinder)

Part Number	Bag Size	Pressure (psig)	Carrying Bag	6' EBSS Hose	5' RIC Hose	Facepiece Model	Regulator Model
201564-01	Medium	4500	●	Hansen	●	AV-3000 (RIT-style)	E-Z Flo
201564-02	Medium	5500	●	Hansen	●	AV-3000 (RIT-style)	E-Z Flo
201564-03	Small	4500	●	Hansen	●	AV-3000 (RIT-style)	E-Z Flo
*201564-11	Medium	4500	●	Rectus	●	AV-3000 (RIT-style)	E-Z Flo
*201564-12	Medium	5500	●	Rectus	●	AV-3000 (RIT-style)	E-Z Flo
*201564-13	Small	4500	●	Rectus	●	AV-3000 (RIT-style)	E-Z Flo
201564-21	Medium	4500	●	Hansen	●	Vision C5 (RIT-style)	E-Z Flo C5
201564-22	Medium	5500	●	Hansen	●	Vision C5 (RIT-style)	E-Z Flo C5
201564-23	Small	4500	●	Hansen	●	Vision C5 (RIT-style)	E-Z Flo C5
*201564-31	Medium	4500	●	Rectus	●	Vision C5 (RIT-style)	E-Z Flo C5
*201564-32	Medium	5500	●	Rectus	●	Vision C5 (RIT-style)	E-Z Flo C5
*201564-33	Small	4500	●	Rectus	●	Vision C5 (RIT-style)	E-Z Flo C5

*Compatible with Rectus-type fittings used on SCBA certified to the NFPA 1981, 2018 Edition standard.

Cylinders for 3M™ Scott™ RIT-Pak Fast Attack Emergency Air Supply System

Part Number	Description
201561-01	4.5, 15-min, Cylinder and Valve (90°)
200870-01	4.5, 30-min, Cylinder and Valve (90°)
201567-01	5.5, 30-min, Cylinder and Valve (90°)
201568-01	5.5, 45-min, Cylinder and Valve (90°)

Accessories for 3M™ Scott™ RIT-Pak Fast Attack Emergency Air Supply System

Part Number	Description
201558-01	RIT-Pak Fast Attack, Bag, Medium
201558-02	RIT-Pak Fast Attack, Bag, Small
201600-01	RIT-Pak Fast Attack, Shoulder Strap Assembly
201595-01	RIT-Pak Fast Attack, AV-Series Facepiece
201605-02	RIT-Pak Fast Attack, E-Z Flo Regulator, Hansen
201605-03	RIT-Pak Fast Attack, E-Z Flo Regulator, Rectus
31003648	RIT-Pak Fast Attack, Carabiner
201825-01	Vision C5 Facepiece with E-Z Flo C5 Regulator, RIT-Pak Variant
201673-03	RIT-Pak Fast Attack, E-Z Flo C5 Regulator, Hansen
201673-04	RIT-Pak Fast Attack, E-Z Flo C5 Regulator, Rectus

3M™ Scott™ RIT-Pak III Emergency Air Supply System



3M™ Scott™ RIT-Pak III Emergency Air Supply System (without Cylinder)

Part Number	Bag Size	Pressure (psig)	Carrying Bag	6' EBSS Hose	5' RIC Hose	Facepiece Model	Regulator Model
200954-01	Large	2216	●	Hansen	●	AV-3000 (RIT-style)	E-Z Flo
200954-02	Large	4500	●	Hansen	●	AV-3000 (RIT-style)	E-Z Flo
200954-05	Large	5500	●	Hansen	●	AV-3000 (RIT-style)	E-Z Flo
*200954-11	Large	2216	●	Rectus	●	AV-3000 (RIT-style)	E-Z Flo
*200954-12	Large	4500	●	Rectus	●	AV-3000 (RIT-style)	E-Z Flo
*200954-15	Large	5500	●	Rectus	●	AV-3000 (RIT-style)	E-Z Flo
200954-21	Large	2216	●	Hansen	●	Vision C5 (RIT-style)	E-Z Flo C5
200954-22	Large	4500	●	Hansen	●	Vision C5 (RIT-style)	E-Z Flo C5
200954-25	Large	5500	●	Hansen	●	Vision C5 (RIT-style)	E-Z Flo C5
200954-31	Large	2216	●	Rectus	●	Vision C5 (RIT-style)	E-Z Flo C5
200954-32	Large	4500	●	Rectus	●	Vision C5 (RIT-style)	E-Z Flo C5
200954-35	Large	5500	●	Rectus	●	Vision C5 (RIT-style)	E-Z Flo C5

*Compatible with Rectus-type fittings used on SCBA certified to the NFPA 1981, 2018 Edition standard.

Accessories for 3M™ Scott™ RIT-Pak III Emergency Air Supply System

Part Number	Description
200955-01	RIT-Pak III Bag, Less Shoulder Strap
200989-01	RIT-Pak III, Shoulder Strap Assembly
200959-01	RIT-Pak III, AV-3000 Facepiece
200962-01	RIT-Pak III, E-Z Flo Regulator, Hansen
200962-02	RIT-Pak III, E-Z Flo Regulator, Rectus
200991-01	RIT-Pak III, Carrying Strap
201825-01	Vision C5 Facepiece with E-Z Flo C5 Regulator, RIT-Pak Variant
201673-01	RIT-Pak III, E-Z Flo C5 Regulator, Hansen
201673-02	RIT-Pak III, E-Z Flo C5 Regulator, Rectus

3M™ Scott™ AV-632 Bayonet Adapter

For use with Cartridges and Canisters.



3M™ Scott™ AV-632 Bayonet Adapter

Part Number	Description	Pieces Per Pkg
XP-1008-4113-7	AV-632 Bayonet Adapter*	5
78-8151-2385-2	Exhalation valve cover for AV-632 bayonet adapter	1

*Note: The 3M™ Scott™ 742 series twin cartridge 1/4 turn adapter (805622-01) is no longer available. The 3M™ Scott™ AV-632 Bayonet Adapter is the replacement product for use with the 3M™ Scott™ AV-3000 SureSeal Facepiece or 3M™ Scott™ AV-3000 HT Facepiece and 3M filters and cartridges on page 57.

3M™ Scott™ 40mm Adapters

Part Number	Description	Pieces Per Pkg
805059-01	40 mm Canister Adapter	1
200423-01+	40 mm First Responder Adapter	1
200423-02**	40 mm First Responder Adapter	1

+Approved for use with the 3M™ Scott™ AV-3000 SureSeal Facepiece and 3M™ Scott™ AV-3000 HT Facepiece.

**Approved for use with the 3M™ Scott™ AV-3000 HT Facepiece.

Quantitative Fit Testing Adapters for use with TSI PortaCount

Facepiece to be Fit Tested	Quantitative Fit Test Probe Adapter Required	Filter Required	Facepiece Adapter Required
40 mm Cartridge Series	805628-01	052683	805059-01
AV-3000 Series, Weld-O-Vista Facepiece	●	●	●
Vision C5		●	201520-01
3M Bayonet Cartridges, 6000 Series	601*	2091*	XP-1008-4113-7
AV-3000 SureSeal Facepiece, AV-3000 HT Facepiece	●	●	●

*Must be ordered through 3M bCom.

3M Particulate Filters and Cartridges



3M Bayonet Cartridges and Filters

3M™ Organic Vapor/Acid Gas Cartridge/Filter (6000 series)*

Part Number	Description	Pieces Per Pkg
6001	Organic Vapor	60
6002	Acid Gas	60
6003	Organic Vapor/Acid Gas	60
6004	Ammonia/Methylamine	60
6005	Formaldehyde/Organic Vapor	60
6006	Multi-Gas/Vapor	60
6007	Mercury/Organic Vapor/Acid Gas	60

3M™ Combination Cartridges/ P100 Particulate Filters (6000 series)*

Part Number	Description	Pieces Per Pkg
60921	Organic Vapor/P100	60
60922	Acid Gas/P100	60
60923	Organic Vapor/Acid Gas/P100	60
60924	Ammonia/Methylamine/P100	60
60925	Formaldehyde/Organic Vapor/P100	60
60926	Multi-Gas/Vapor/P100	60
60927	Mercury/Organic Vapor/AG/P100	60
60928	Organic Vapor/Acid Gas/P100 3M recommended for use against methylbromide or radioiodine up to 5 ppm with daily cartridge replacement.	60

3M™ Particulate Filters*

Part Number	Description	Pieces Per Pkg
2091	P100	100
5N11	N95 Prefilter	100
5P71	P95 Prefilter	100
2071	P95	100
2076HF	P95 HF with Nuisance Level AG relief. (Nuisance levels are less than OSHA PEL.)	100
2078	P95 with Nuisance Level OV and AG relief. (Nuisance levels are less than OSHA PEL.)	100
2096	P100 with Nuisance Level AG relief. (Nuisance levels are less than OSHA PEL.)	100
2097	P100 with Nuisance Level OV relief. (Nuisance levels are less than OSHA PEL.)	100
2291	P100	100
2296	P100 filter with Nuisance Level AG relief. (Nuisance levels are less than OSHA PEL.)	100
2297	P100 filter with Nuisance Level OV relief. (Nuisance levels are less than OSHA PEL.)	100
7093	P100	100
7093C	P100 HF with Nuisance Level OV and AG relief. (Nuisance levels are less than OSHA PEL.)	100

*Must be ordered through 3M bCom.

Retainers*

Part Number	Description	Pieces Per Pkg
603	Filter Retainer/Filter Adapter	16
501	Filter Retainer	100
502	Filter Adapter (The 502 filter adapter is not NIOSH approved on any of the 3M Scott facepiece respirators)	100

Accessories*


Part Number	Description	Pieces Per Pkg
601	Quantitative Fit Test Adapter	1

*Must be ordered through 3M bCom.

3M™ Scott™ 40 mm Cartridges and Canisters



3M™ Scott™ 40 mm Cartridges and Canisters

Part Number	Description	Pieces Per Pkg
805557-01	MPC Plus Cartridge	1
052683	40 mm P100 (HEPA) Cartridge	1
045123	Enforcement Cartridge	1
045135	CBRN Cap-1 Canister 	1
8004109	TAC 1 Cartridge (For FRR facepiece only)	1
045170	MPC40PF Cartridge	1

Bitrex

3M™ Qualitative Fit Test Kit



3M™ Qualitative Fit Test Kit

Part Number	Description	Pieces Per Pkg
2017070	Bitrex 3M™ Qualitative Fit Test Kit	1

3M™ Qualitative Fit Test Kit – Spare Parts

Part Number	Description	Pieces Per Pkg
2017093	Fit Test Solution Applicator Kit (6 ampoules/box)	6
2017092	Sensitivity Solution Applicator Kit (6 ampoules/box)	6
2017094	Nebulizer	1
2017095	Test Hood	1
FT-10	Fit Test Kit, Quantitative, Sweet	1
FT-30	Fit Test Kit, Quantitative, Bitter	1

Fit Test Parts and Accessories For Use With 3M™ Scott™ 40 mm Cartridges and Canisters

Part Number	Description	Pieces Per Pkg
805059-01	40 mm Canister Adapter	1
052683	40 mm P100 (HEPA) Cartridge	1

3M™ Scott™ C420 Plus CBRN Powered Air Purifying Respirator (PAPR)



3M™ Scott™ C420 Plus CBRN Powered Air Purifying Respirator (PAPR)

	Blower	LiSO2 Battery	Decon Belt	30" CBRN AV-PAPR Hose (Use with AV-Facepieces.*)	36" CBRN AV-PAPR Hose (Use with AV-Facepieces.*)
Part No:	200699-01	805358-01	805359-01	200829-30	200829-36

PAPR Blowers:

200699-01	●				
200698-00	●		●		
<i>For use with 3M™ Scott™ AV-3000 SureSeal Facepiece or 3M™ Scott™ AV-3000 HT Facepiece (sold separately)</i>					
200830-30	●		●	●	
200830-36	●		●		●
200833-30	●	●	●	●	
200833-36	●	●	●		●

*AV-PAPR hose connects directly to AV-series facepieces.

**The 3M™ Scott™ C420 Plus CBRN Powered Air Purifying Respirator (PAPR) is also approved for NIOSH non-CBRN applications; Additional configurations are available.

CBRN Canister:

Part Number	Description
045135	CBRN Cap-1 Canister 

Other NIOSH approved canisters:

Part Number	Description
045170	MPC40PF
045123	Enforcement Cartridge
052683	40mm P100 (HEPA) Cartridge

3M™ Scott™ C420 Plus CBRN Powered Air Purifying Respirator (PAPR) Parts and Accessories

Part Number	Description	Pieces Per Pkg
Facepiece		
See Pg 47-49	AV-3000 HT Facepiece with Kevlar® Head Harness	1
See Pg 50-52	AV-3000 SureSeal Facepiece with Kevlar® Head Harness	1
Breathing Tubes		
200829-30	30" AV-PAPR Breathing Tube for approved AV-Facepieces	1
200829-36	36" AV-PAPR Breathing Tube for approved AV-Facepieces	1
PAPR Blower Unit		
200698-00	C420 Plus CBRN PAPR Blower Kit (Blower, decon belt, airflow indicator)	1
200699-01	C420 Plus CBRN PAPR Blower only	1
805359-01	Decontamination Belt	1
805374-01	Airflow Indicator	1
Batteries		
805358-01	LiSO2 Battery	1
31002361	(Black) End cap for LiSO2 Battery	
200701-01	NiMH Rechargeable Battery Conversion Kit, (Single Bank Charger, NiMH Battery, End Cap)	1
31001504	NiMH Rechargeable Battery Pack	1
31001506	(Green) End Cap for NiMH Rechargeable Battery	1
200703-01	Single Unit Battery Recharger	1
Carry Case		
31000578	Duffle bag carry case	1
See Pages 46	Cartridges and Canisters	

3M™ Scott™ Ska-Pak AT Supplied-Air Respirator



SAR Model	Entry/Egress	Pressure (psig)	Cylinder	Harness	Regulator	Airline	Facepiece ①	Case ②	Packaging
4 Ska-Pak AT SAR	2 Entry/Egress	2 2216	00 None	3 Nylon	3 E-Z Flo Vibralert	1 Hansen	0 None	0 None	1 One Per Box
		3 3000	01 2216/Aluminum/3 min	4 Kevlar®	4 E-Z Flo Vibralert QD	2 Schrader	3 AV-3000 SureSeal Facepiece, Kevlar® (M)		
		4 4500	02 3000/Carbon/5 min			3 Cejn	6 AV-3000 SureSeal Facepiece Poly (M)		
			03 3000/Carbon/10 min			4 Hansen HK Plug	9 AV-3000 SureSeal Facepiece Rubber (M)		
			06 4500/Carbon/15 min			5 Hansen HK Socket			
			Drained						
			AA 2216/Aluminum/3 min						
			BB 3000/Carbon/5 min						
			CC 3000/Carbon/10 min						
			FF 4500/Carbon/15 min						

1. Part Number:
Select a one or two digit number per box from the chart above that corresponds to your choice.

SAR	4	2	X	XX	0	X	X	X	X	X	1
-----	---	---	---	----	---	---	---	---	---	---	---

- ① If you prefer an alternate facepiece style, head harness, or size, choose "none" and order an approved facepiece as a separate line item (see pages 21-26 for selection).
- ② Cases are not compatible with select 3M™ Scott™ Ska-Pak AT Supplied-Air Respirator configurations. Please choose "none" for case option and order case separately as required noting that fit on all configurations cannot be guaranteed.

Example

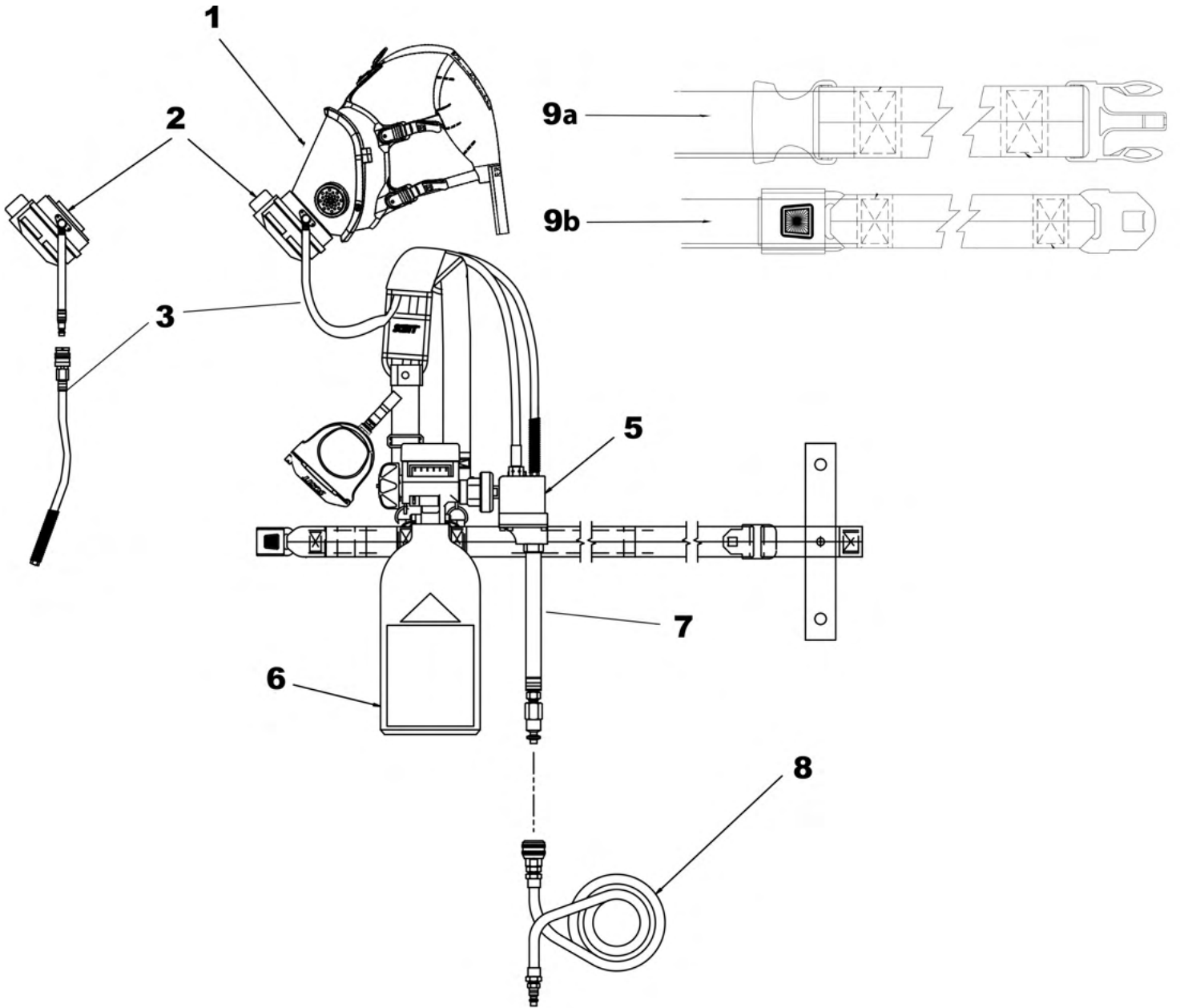
Ska-Pak AT SAR
For entry/egress, for 3000 psi cylinder, with 3000 psig 10 min carbon cylinder, Kevlar® harness, with E-Z Flo Vibralert, Hansen airline, no case, shipped one per box.

SAR	4	2	3	03	0	4	3	1	0	0	1
-----	---	---	---	----	---	---	---	---	---	---	---

In this example, order facepiece and case separately.

This configurator is a guide to 3M™ Scott™ AT Supplied-Air Respirator Ska-Pak AT SAR part numbers.

3M™ Scott™ Ska-Pak AT Supplied-Air Respirator



3M™ Scott™ Ska-Pak AT Supplied-Air Respirator Parts and Accessories

Item Number	Description	Pieces Per Pkg	Part Number
1	Facepiece		
1a	AV-3000 HT Facepiece	See Pages 21-23	
1b	AV-3000 SureSeal Facepiece	See Pages 24-26	
2	Regulator		
2a	E-Z Flo with Vibralert	1	804370-09
2b	E-Z Flo with Vibralert Quick Disconnect	1	804370-02
3	Quick Disconnect Hose Assembly	1	804694-05
4	Harnesses		
4a	Nylon	1	804982-01
4b	Kevlar®	1	804981-01
5	Pressure Reducers		
5a	2216/3000, Entry/Egress	1	200031-03
5b	4500 psig, Entry/Egress	1	200031-04
6	Cylinder and Valve Assemblies		
6a	2216 psi, Aluminum, 3-minute	1	805031-01
6b	3000 psi, Carbon, 5-minute	1	805947-02
6c	3000 psi, Carbon, 10-minute	1	805948-02
6f	4500 psi, Carbon, 15-minute	1	200779-01
7	Airlines Hose and Fittings		
7a	Airline Hose with Hansen/Foster Fitting	1	804305-01
7b	Airline Hose with Schrader Fitting	1	804305-02
7c	Airline Hose with Hansen HK Fitting Plug	1	804305-03
8	Airlines Supply Hoses	See Page 59	
9	Waist Extension Belts		
9a	Kevlar® Extension Belt, 1.5 Inches Wide	1	805088-01
9b	Nylon Extension Belt, 2 Inches Wide	1	805088-02
10	Accessories (Not shown)		
10a*	Ska-Pak Series Hard Case	1	803278-01

* Cases are not compatible with select 3M™ Scott™ Ska-Pak AT Supplied-Air Respirator configurations.

3M™ Scott™ Ska-Pak Plus Supplied Air Respirator



SAR Model	Entry/Egress ①	Pressure (psig) ②	Cylinder	Harness	Regulator	Airline	Facepiece ③	Case	Packaging
3 Ska-Pak Plus SAR	2 Entry/Egress	2 2216	00 None	3 Nylon	1 E-Z Flo	0 None	0 None	0 None	1 One Per Box
	3 Egress Only	3 3000	01 2216/Aluminum/5 min	4 Kevlar®	2 E-Z Flo Modulair QD	1 Hansen	3 AV-3000 SureSeal Facepiece, Kevlar® (M)	1 Hard Case	
		4 4500	02 3000/Carbon/5 min			2 Schrader	6 AV-3000 SureSeal Facepiece Poly (M)		
		7 3000 E-Z Fill	03 3000/Carbon/10 min			3 Cejn	9 AV-3000 SureSeal Facepiece Rubber (M)		
		8 4500 E-Z Fill	06 4500/Carbon/15 min			4 Hansen HK Plug			
			Drained			5 Hansen HK Socket			
			AA 2216/Aluminum/5 min						
			BB 3000/Carbon/5 min						
			CC 3000/Carbon/10 min						
			FF 4500/Carbon/15 min						

1. Part Number:
Select a one or two digit number per box from the chart above that corresponds to your choice.

SAR	3	X	X	XX	0	X	X	X	X	X	1
-----	---	---	---	----	---	---	---	---	---	---	---

- ① Must select entry/egress to select an Airline option.
- ② Pressure with E-Z Fill designation utilizes an alternate filling connection fitting on the cylinder valve to enable convenient charging of the cylinder.
- ③ If you prefer an alternate facepiece style, head harness, or size, choose "none" and order an approved Facepiece as a separate line item (see pages 21-26 for selection).

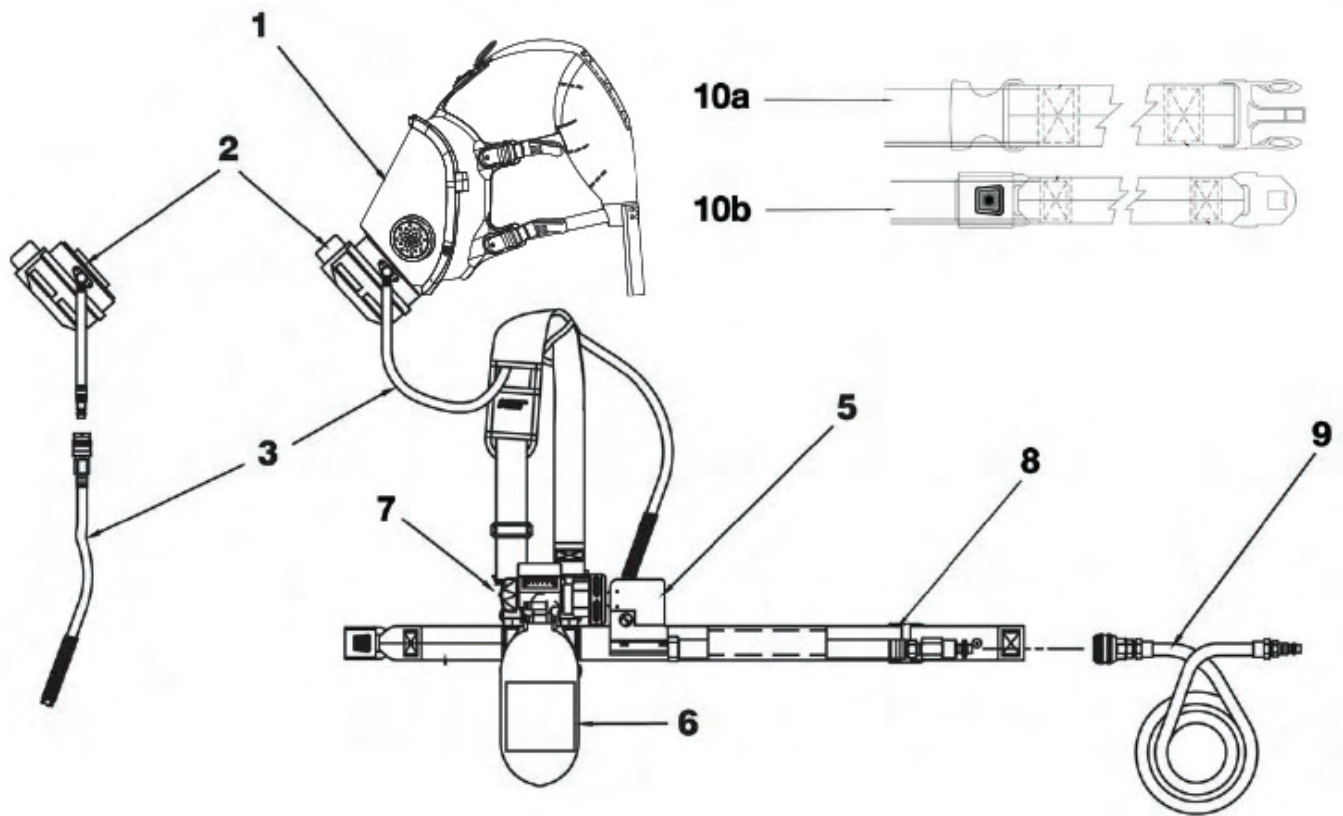
Example
Ska-Pak Plus
For entry/egress, for 2216 psi cylinder, with 2216 psig 5 min Aluminum cylinder, Kevlar® harness, with E-Z Flo Regulator, Hansen airline, no facepiece, no case, shipped one per box.

SAR	3	2	2	01	0	4	1	1	0	0	1
-----	---	---	---	----	---	---	---	---	---	---	---

In this example, order facepiece and case separately.

This configurator is a guide to 3M™ Scott™ Ska-Pak Plus Supplied-Air Respirator part numbers.

3M™ Scott™ Ska-Pak Plus Supplied-Air Respirator



3M™ Scott™ Ska-Pak Plus Supplied-Air Respirator Parts and Accessories

Item Number	Description	Pieces Per Pkg	Part Number
1	Facepiece		
1a	AV-3000 HT Facepiece	See Pages 21-23	
1b	AV-3000 SureSeal Facepiece	See Pages 24-26	
2	Regulator		
2a	E-Z Flo	1	804221-01
2b	E-Z Flo with Modulair Quick Disconnect	1	804441-05
3	Quick Disconnect Hose Assembly	1	804694-01
4	Harnesses		
4a	Kevlar®	1	804981-01
4b	Nylon	1	804982-01
5	Pressure Reducers		
5a	2.2/3.0 Reducer Assembly	1	804304-11
5f	4.5 Reducer Assembly	1	804304-01
5g	4.5 Reducer Assembly (Escape Only)	1	804310-01
6	Cylinder and Valve Assemblies		
6a	2216 psi, Aluminum, 5-minute	1	805031-01
6b	3000 psi, Carbon, 5-minute	1	805947-02
6c	3000 psi, Carbon, 10-minute	1	805948-02
6f	4500 psi, Carbon, 15-minute	1	200779-01
7	E-Z Fill Cylinder and Valve Assembly		
7a	3000 psi, Carbon, 10-minute		201386-01
7b	4500 psi, Carbon, 15-minute		201389-01
8	Airlines Hose and Fittings		
8a	Airline Hose with Hansen/Foster Fitting	1	804305-01
8b	Airline Hose with Schrader Fitting	1	804305-02
8c	Airline Hose with Hansen HK Fitting Plug	1	804305-03
9	Airlines Supply Hose	See Page 59	
10	Waist Extension Belts		
10a	Nylon Extension Belt, 2 Inches Wide	1	805088-02
10b	Kevlar® Extension Belt, 1.5 Inches Wide	1	805088-01
11	Accessories		
11a	Ska-Pak Series Hard Case	1	803278-01

3M™ Scott™ Ska-Pak Supplied-Air Respirator



SAR Model	Entry/Egress ①	Pressure ④ (psig)	Cylinder ②	Harness	Regulator	Airline	Facepiece ③	Case	Packaging
2 Ska-Pak SAR	2 Entry/Egress	2 2216	00 None	2 Polypropylene	1 E-Z Flo	0 None	0 None	0 None	1 One Per Box
	3 Egress Only	4 4500	01 2216/Aluminum/5 min	4 Kevlar®		1 Hansen	3 AV-3000 SureSeal Facepiece, Kevlar® (M)	1 Hard Case	
		8 4500 E-Z Fill	06 4500/Carbon/15 min			2 Schrader	6 AV-3000 SureSeal Facepiece Poly (M)		
			Drained			3 Cejn	9 AV-3000 SureSeal Facepiece Rubber (M)		
			AA 2216/Aluminum/5 min			4 Hansen HK Plug			
			FF 4500/Carbon/15 min			5 Hansen HK Socket			

1. Part Number:

Select a one or two digit number per box from the chart above that corresponds to your choice.

SAR	2	X	X	XX	0	X	1	X	X	X	1
-----	---	---	---	----	---	---	---	---	---	---	---

① Must select entry/egress to select an Airline option.

② Cylinder clamps not included when selecting option 00.

③ If you prefer an alternate facepiece style, head harness, or size, choose "none" and order an approved facepiece as a separate line item (see pages 21-26 for selection).

④ Pressure with E-Z Fill designation utilizes an alternate filling connection fitting on the cylinder valve to enable convenient charging of the cylinder.

Example

Ska-Pak SAR

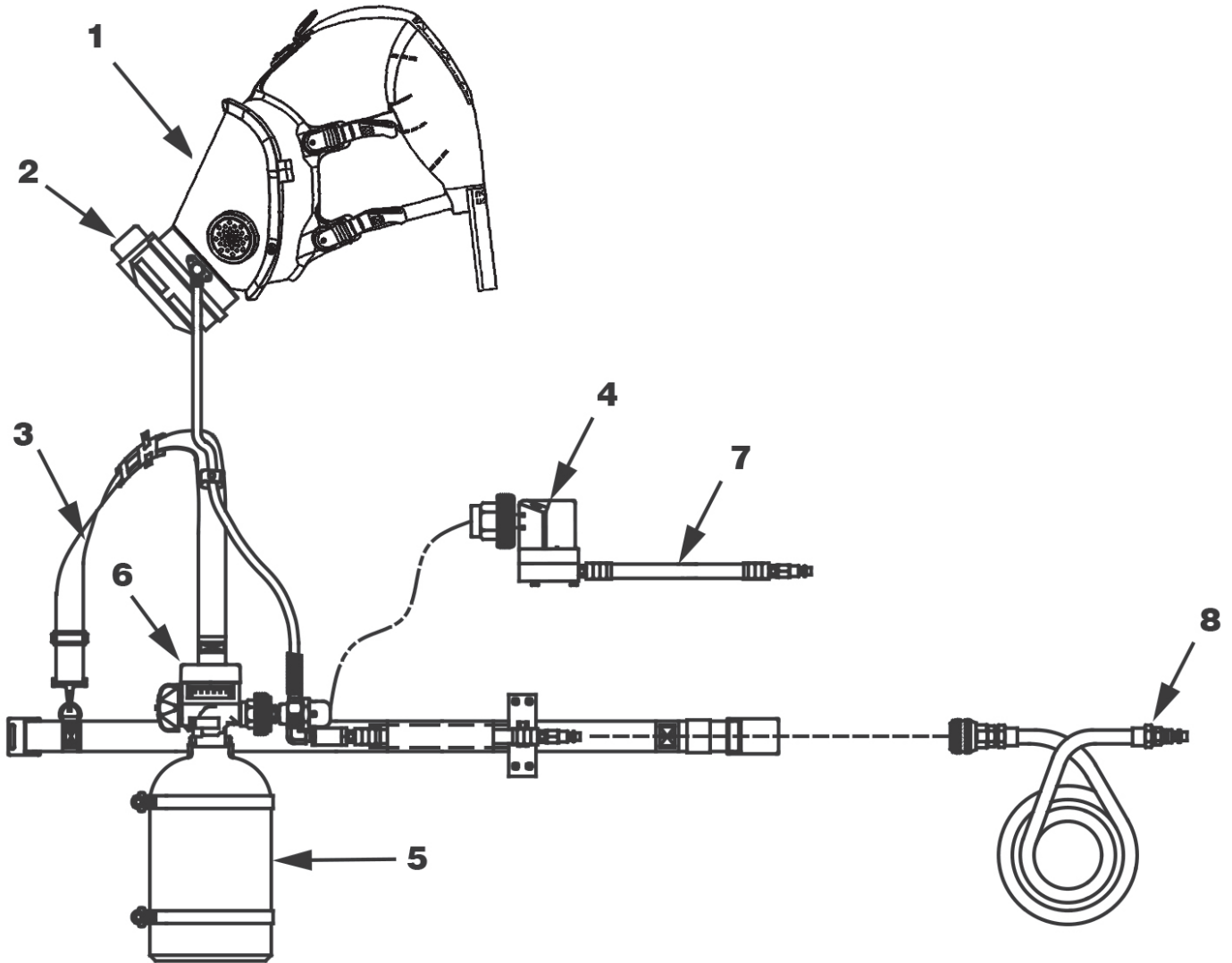
For entry/egress, for 2216 psi cylinder, with 2216 psig 5 min Aluminum cylinder, Polypropylene Harness, with E-Z Flo Regulator, Hansen airline, no facepiece, no case, shipped one per box.

SAR	2	2	2	01	0	2	1	1	0	0	1
-----	---	---	---	----	---	---	---	---	---	---	---

In this example, order facepiece and case separately.

This configurator is a guide to 3M™ Scott™ Ska-Pak Supplied-Air Respirator part numbers.

3M™ Scott™ Ska-Pak Supplied-Air Respirator



3M™ Scott™ Ska-Pak Supplied-Air Respirator Parts and Accessories

Item Number	Description	Pieces Per Pkg	Part Number
1	Facepiece		
1a	AV-3000 HT Facepiece	See Pages 21-23	
1b	AV-3000 SureSeal Facepiece	See Pages 24-26	
2	E-Z Flo Regulator	1	804221-01
3	Harnesses		
3a	Polypropylene	1	802200-01
3b	Kevlar®	1	804307-01
4	Pressure Reducers		
4a	2.2/3.0 Reducer Assembly	1	804304-11
4c	4.5 Reducer Assembly	1	804304-01
4d	4.5 Reducer Assembly (Escape only)	1	804310-01
5	Cylinder and Valve Assemblies		
5a	Aluminum, 5-minute, 2216 psig	1	801935-03
5d	Carbon, 15-minute, 4500 psig	1	200779-03
6	E-Z Fill Cylinder and Valve Assembly		
6a	4500 psi, Carbon, 15-minute		201389-02
7	Airline Hose and Fittings		
7a	Airline Hose with Hansen/Foster Fitting	1	804305-01
7b	Airline Hose with Schrader Fitting	1	804305-02
7c	Airline Hose with Hansen HK Fitting Plug	1	804305-03
8	Airline Supply Hoses	See Page 59	
9	Accessories		
9a	Ska-Pak Series Hard Case	1	803278-01

3M™ Scott™ E-Z Airline Supplied Air Respirator



3M™ Scott™ E-Z Airline Supplied Air Respirator

Part Numbers	Harness	Facepiece	Regulator	Hose Fitting
804386-66	Nylon	Facepiece not included, order separately.	E-Z Flo with Modulair QD	Hansen
804386-62	Nylon	Facepiece not included, order separately.	E-Z Flo with Modulair QD	Schrader

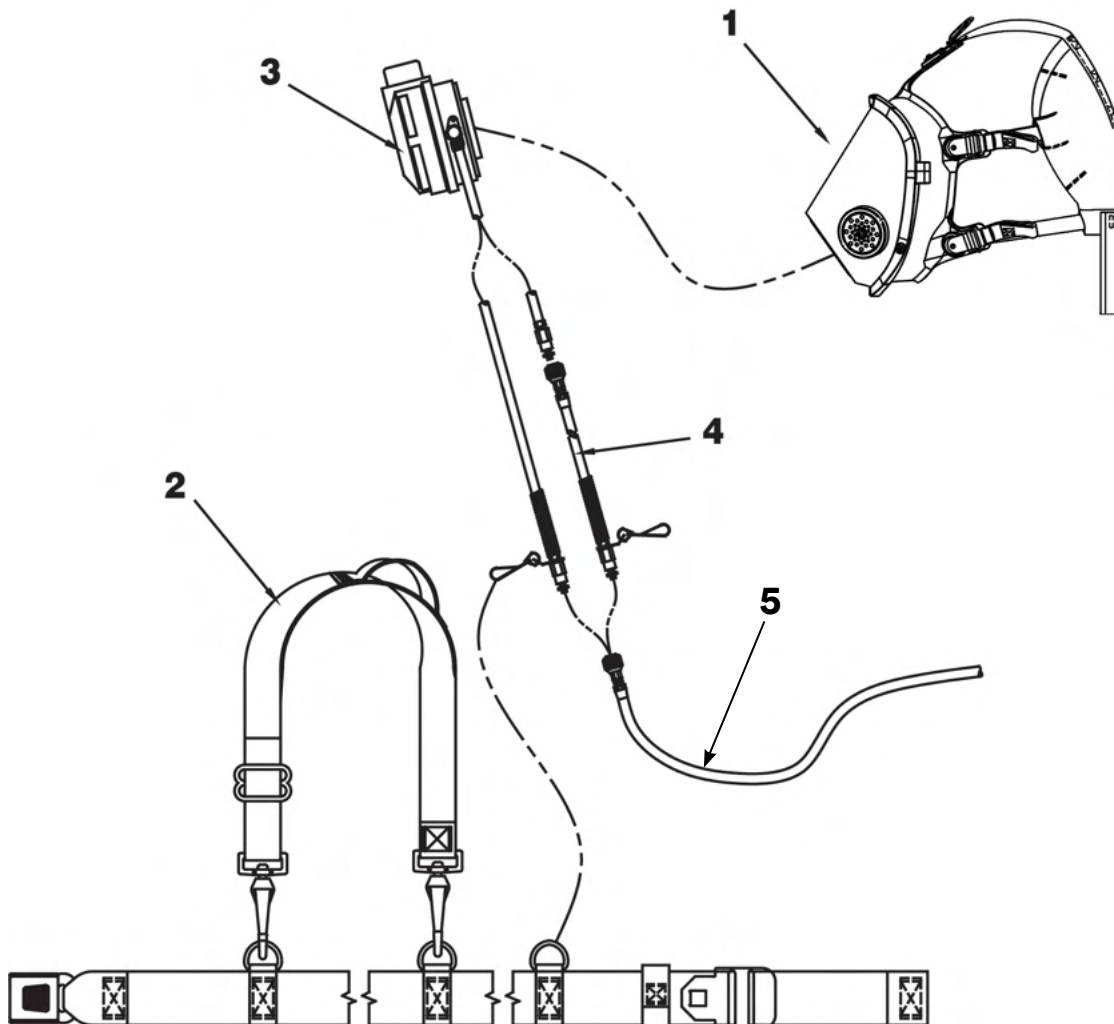
3M™ Scott™ E-Z Airline Supplied Air Respirator (without Modulair)

Part Numbers	Harness	Facepiece	Regulator	Hose Fitting
804386-67	Nylon	Facepiece not included, order separately.	E-Z Flo	Hansen

Powered and Supplied Air

3M™ Scott™ E-Z Airline Supplied Air Respirator Parts and Accessories

Item Number	Description	Pieces Per Pkg	Part Number
1	Full Facepieces		
1a	AV-3000 HT Facepiece	See Pages 21-23	
1b	AV-3000 SureSeal Facepiece	See Pages 24-26	
2	Harness	1	804493-01
3	E-Z Flo Regulator		
3a	Without Modulair, Hansen	1	804441-01
3b	Without Modulair, Schrader	1	804441-02
3c	Without Modulair, Hansen HK	1	804441-03
3d	With Modulair	1	804679-01
4	Modulair Hose Assembly		
4a	Hose Assembly, Hansen	1	804694-04
4b	Hose Assembly, Schrader	1	804694-03
4c	Hose Assembly, Hansen HK	1	804694-02
5	Airline Supply Hoses	See Page 59	



Supply Hose Assemblies

Part Number	Description	Pieces Per Pkg
26369-006	Hansen HK, 6 Ft	1
26369-010	Hansen HK, 10 Ft	1
26369-025	Hansen HK, 25 Ft	1
26369-050	Hansen HK, 50 Ft	1
26369-100	Hansen HK, 100 Ft	1
26370-006	Foster, 6 Ft	1
26370-010	Foster, 10 Ft	1
26370-025	Foster, 25 Ft	1
26370-050	Foster, 50 Ft	1
26370-100	Foster, 100 Ft	1
26370-150	Foster, 150 Ft	1
30010-006	Hansen, 6 Ft	1
30010-010	Hansen, 10 Ft	1
30010-025	Hansen, 25 Ft	1
30010-050	Hansen, 50 Ft	1
30010-100	Hansen, 100 Ft	1
30010-150	Hansen, 150 Ft	1
30010-300	Hansen, 300 Ft	1
30020-006	Schrader, 6 Ft	1
30020-010	Schrader, 10 Ft	1
30020-025	Schrader, 25 Ft	1
30020-050	Schrader, 50 Ft	1
30020-100	Schrader, 100 Ft	1
30020-150	Schrader, 150 Ft	1
805659-006	Cejn, 6 Ft	1
805659-025	Cejn, 25 Ft	1
805659-050	Cejn, 50 Ft	1
805659-100	Cejn, 100 Ft	1

Pass-Thru Assemblies

Part Number	Description	Pieces Per Pkg
803620-01*	Pass-Thru Assembly, Hansen Fitting, Airline	1
803620-02*	Pass-Thru Assembly, Schrader Fitting, Airline	1
803620-05	Pass-Thru Assembly, Cejn Fitting, Airline	1
803620-03**	Pass-Thru Assembly, Hansen Fitting, Dual EBSS	1
803620-04**	Pass-Thru Assembly, Schrader Fitting, Dual EBSS	1

* For use with airline.

** For use with Dual EBSS.

Note: Pass-thru devices are manufactured for use in protective chemical suits, e.g. Level A and Level B. NIOSH approvals for pass-thru devices in chemical suits are carried by the chemical suit manufacturer. The pass-thru devices must be installed by the suit manufacturer to maintain proper NIOSH approvals.

Note: UEBS Rectus fitting is compatible with the Cejn fitting.

3M™ Scott™ Mobile Air Cart



3M™ Scott™ Mobile Air Cart (without Cylinders)

Part Number	Description	Pieces Per Pkg
805825-01	Mobile Air Cart, 2 Outlet, Hansen Style, Aux. Inlet	1
805825-04	Mobile Air Cart, 2 Outlet, Schrader, Aux. Inlet	1
805826-01	Mobile Air Cart, 4 Outlet, Hansen Style, Aux. Inlet	1
805826-04	Mobile Air Cart, 4 Outlet, Schrader Aux. Inlet	1
805827-01	Mobile Air Cart, 4 Outlet, 2 Tool, Hansen Style, Aux. Inlet	1
805827-04	Mobile Air Cart, 4 Outlet, 2 Tool, Schrader, Aux. Inlet	1

3M™ Scott™ TRC-1 Air Cart



3M™ Scott™ TRC-1 Air Cart (without Cylinders)

Part Number	Description	Pieces Per Pkg
200070-01	TRC-1 Air Cart, 8 Outlet, Aux. Inlet, Hansen Style	1
200070-03	TRC-1 Air Cart, 8 Outlets, Aux. Inlet, Hansen HK	1
200070-04	TRC-1 Air Cart, 8 Outlets, Aux. Inlet, Schrader	1
200070-05	TRC-1 Air Cart, 8 Outlets, Aux. Inlet, Cejn	1

See page 15-16 for applicable cylinders.

3M™ Scott™ ELSA Emergency Escape Breathing Device (EEBD)-N



3M™ Scott™ ELSA EEBD-N

Part Number	Description
8007212	ELSA EEBD 5 Min-N
8007213	ELSA EEBD 10 Min-N
8007214	ELSA EEBD 15 Min-N
8007212-D	ELSA EEBD 5 Min-N, Drained
8007213-D	ELSA EEBD 10 Min-N, Drained
8007214-D	ELSA EEBD 15 Min-N, Drained
8007196	ELSA Carry Bag Assy, 5 Min-N
8007197	ELSA Carry Bag Assy, 10 Min-N
8007198	ELSA Carry Bag Assy, 15 Min-N
8007210	ELSA Replacement Carry Strap-N
8007204	ELSA Replacement Hood w/Diffuser-N
2010173	Anti-Fog Wipe
2007294	Cylinder Fill Port Dust Covers (10/pkg)



Personal Safety Division
3M Scott Fire & Safety
P.O. Box 569
Monroe, NC 28111
1-800-247-7257

3M.com/ScottFire
3M.ca/ScottFire
3M.com/ScottIndustrial
3M.ca/ScottIndustrial

The Bluetooth® word mark and logos are registered trademarks owned by the Bluetooth SIG, Inc. Kevlar® is a registered trademark of E.I. du Pont de Nemours and Company | PortaCount is a registered trademark of TSI, Inc. | Bitrex is a registered trademark of Macfarlan Smith Ltd. MOTOROLA is a trademark of Motorola Trademark Holdings, LLC.

3M PSD Products are for occupational use only.

3M, Scott and Air-Pak are trademarks of 3M. Used under license in Canada. © 2022, 3M. All rights reserved. All other trademarks are property of their respective owners. 2201-22941

Rev A 02/22