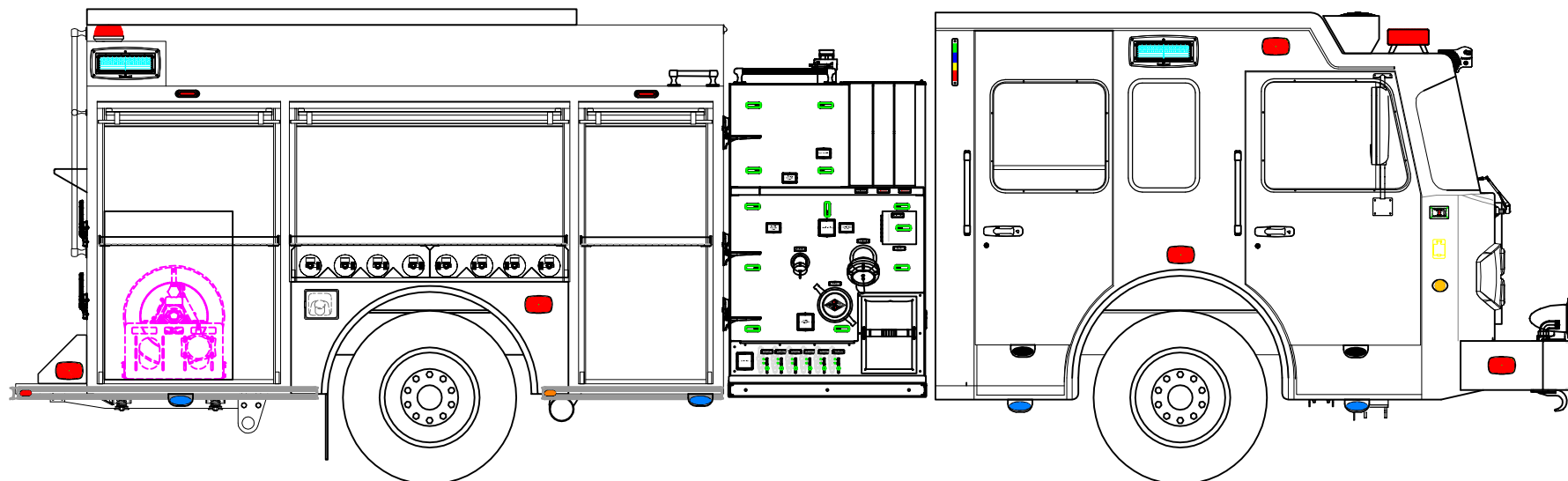
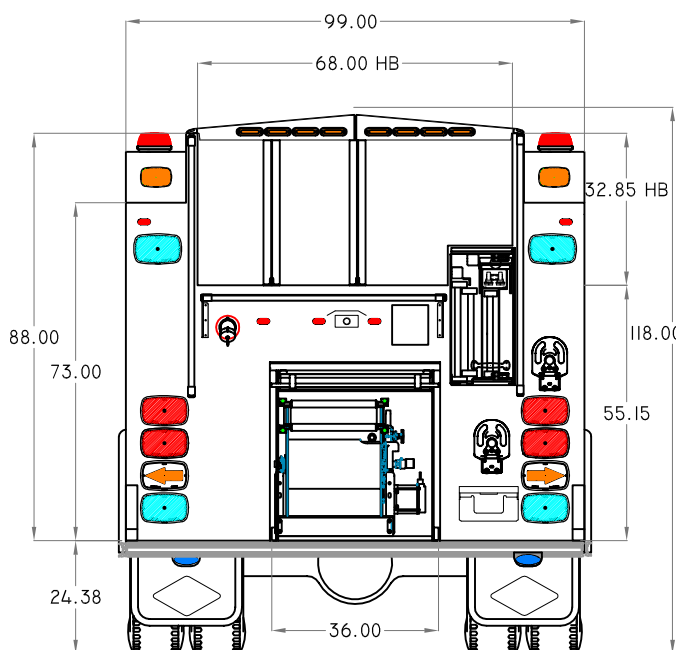
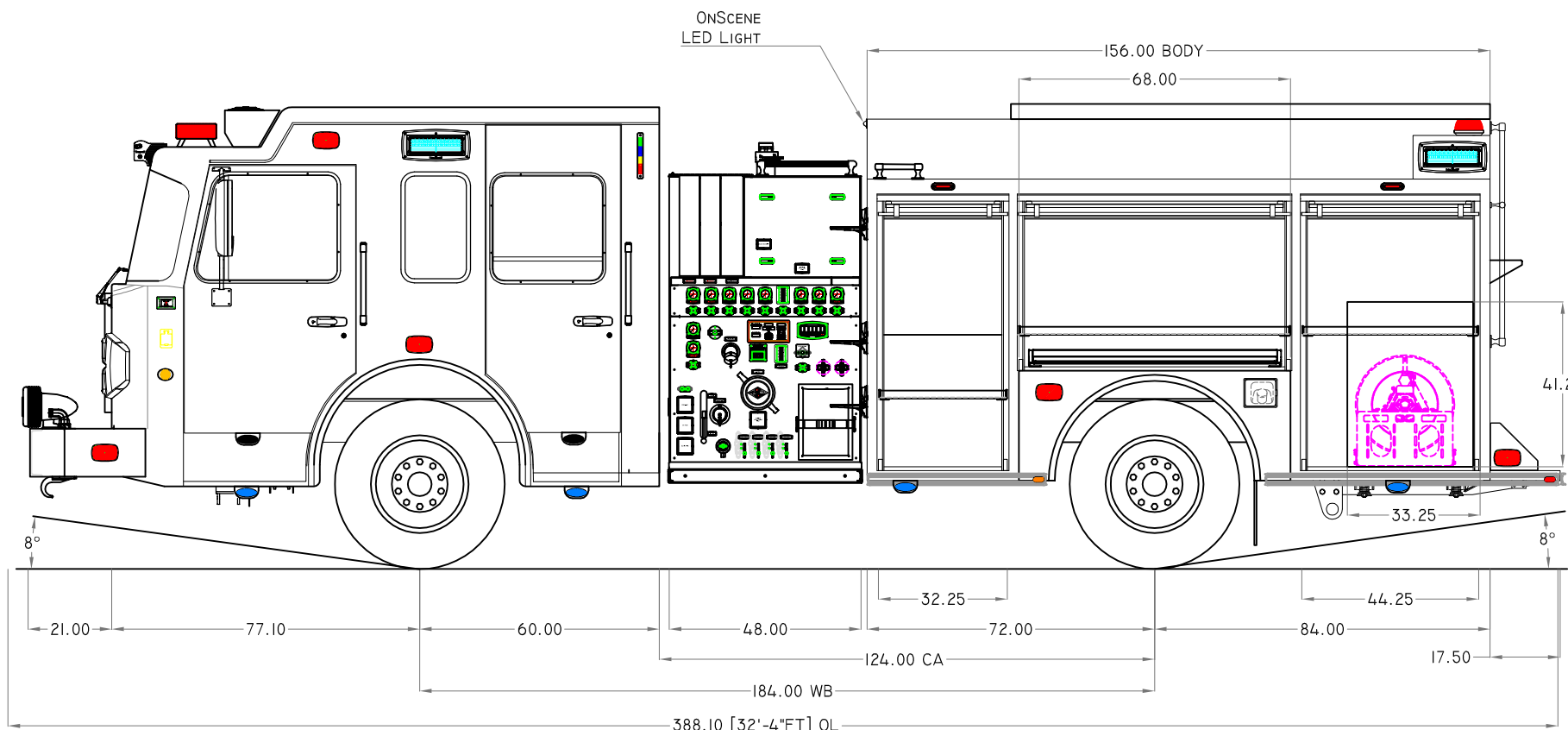
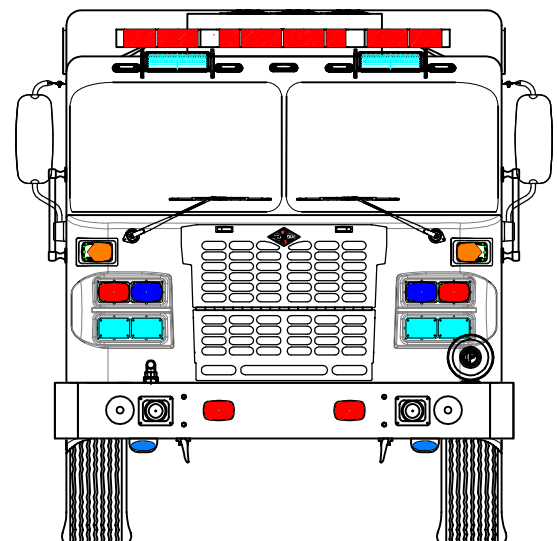
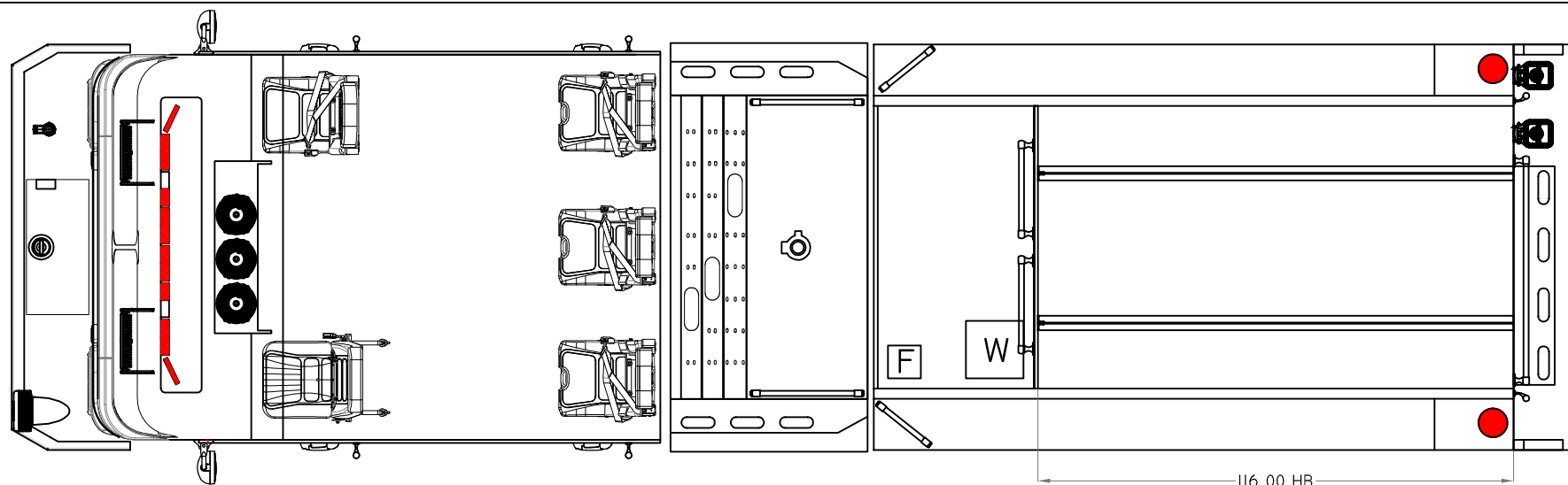


Compartment	Volume (Cubic Feet)
L1	29.4
L2	27.3
L3	36.4
R1	29.4
R2	27.3
R3	36.4
B1	31.9
Hose Bed Area	143.6



CHASSIS: SPARTAN METRO STAR EMFD 10" RR  
 ENGINE: CUMMINS L9 450 HP  
 TRANSMISSION: ALLISON 3000 EVS  
 AXLES: F 20,000 LB / R 26,000 LB  
 MODEL: 2114  
 WATER/FOAM: 750 GALLONS / 20 GALLONS  
 PUMP: WATEROUS CSU 1500 GPM  
 FOAM SYSTEM: FOAMPRO 1600  
 GENERATOR: N/A

DOOR FRAMED OPENINGS	
COMPARTMENT	DOOR FRAMED OPENING
L1	32.25-W x 68.0-H
L2	68.0-W x 43.0-H
L3	44.25-W x 68.0-H
R1	32.25-W x 68.0-H
R2	68.0-W x 43.0-H
R3	44.25-W x 68.0-H
B1	36.0-W x 37.25-H

SPECIAL NOTES:

**LADDER PACKAGE**

- (1) DUO-SAFETY 24 FT.-2 SEC, 900A
- (1) DUO-SAFETY 14 FT. ROOF, 775A
- (1) DUO-SAFETY 10 FT. ATTIC, 585A

**STORAGE FOR**

- (1) 18" x 72" FERNO BACKBOARD
- (2) PIKE POLES WITH STANDARD HOOK
- (1) ARSON TRASH HOOK, UP TO 12FT LONG

**CUSTOMER**

THIS DRAWING IS A CLOSE APPROXIMATION OF YOUR FIRE APPARATUS. IN ALL CASES WHERE THE DRAWING AND THE WRITTEN SPECIFICATION DIFFER, THE SPECIFICATION SHALL PREVAIL. PLEASE WORK WITH YOUR DEALER TO ASSURE THAT THE WRITTEN SPECIFICATION REPRESENTS WHAT YOU WANT IN YOUR FINISHED PRODUCT. SPARTAN EMERGENCY RESPONSE BUILDS TO THE WRITTEN SPECIFICATION, NOT THE DRAWING TO ASSURE THAT YOUR NEEDS ARE MET.

**PROPRIETARY AND CONFIDENTIAL**

THE INFORMATION CONTAINED IN THIS DRAWING IS THE SOLE PROPERTY OF SPARTAN EMERGENCY RESPONSE. ANY REPRODUCTION IN PART OR AS A WHOLE WITHOUT THE WRITTEN PERMISSION OF SPARTAN EMERGENCY RESPONSE IS PROHIBITED. SPARTAN MOTORS USA, INC. D/B/A SPARTAN EMERGENCY RESPONSE.

REV	DATE	DESCRIPTION	NAME
2	11/12/18	ENG UPDATES-MIGRATION	SS/DD
1	10/24/17	INITIAL PROPOSAL	WC

SCALE: NOT TO SCALE

CUSTOMER: **SHERMAN FIRE DEPARTMENT**

TRUCK NUMBER: MODEL # 2114

DEALER: METRO FIRE APPARATUS