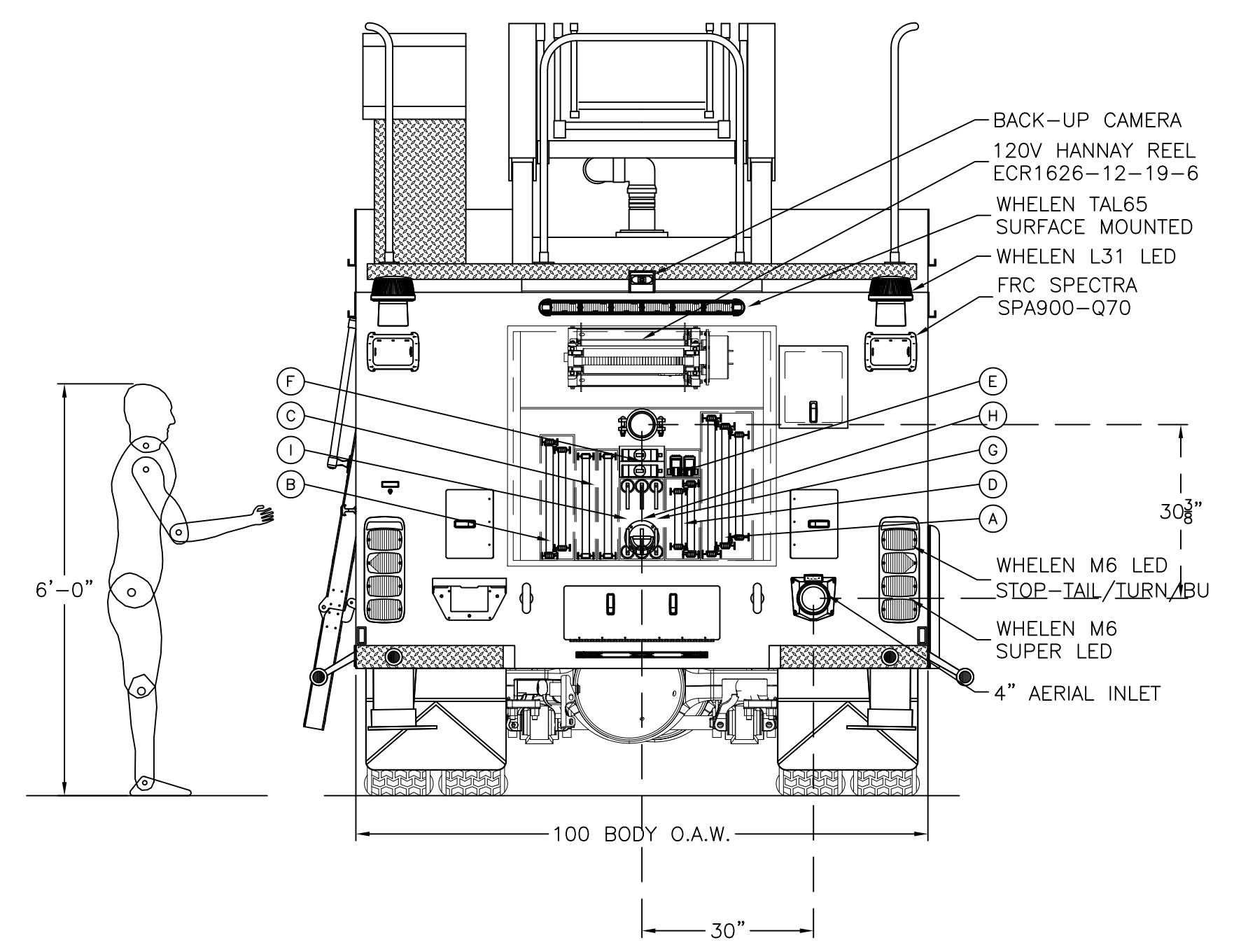
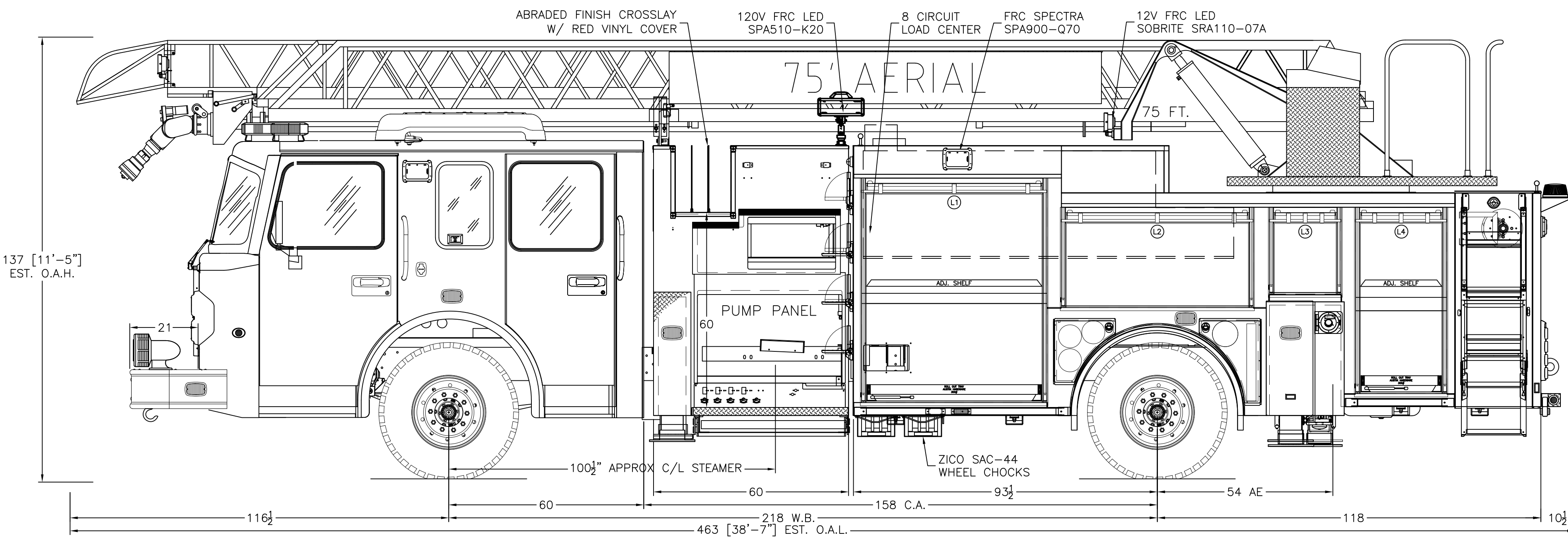


COMPARTMENT DIMENSIONS					
COMPT.	DOOR OPENING	INTERIOR	DIVIDE HEIGHT	UPPER DEPTH	LOWER
L1	54"W x 63"H	64"W x 78.5"H	30"	14"	25"
L2	56"W x 25"H	64"W x 34.5"H	-	14"	14"
L3	19"W x 21"H	22"W x 30.5"H	-	14"	14"
L4	25"W x 52"H	35"W x 61"H	25"	14"	24"
R1	54"W x 63"H	64"W x 78.5"H	30"	14"	25"
R2	56"W x 25"H	64"W x 34.5"H	-	14"	14"
R3	19"W x 21"H	22"W x 30.5"H	-	14"	14"
R4	49"W x 52"H	56.5"W x 61"H	25"	14"	24"

GROUND LADDERS & PIKE POLES			
ITEM	DESCRIPTION	MODEL #	QTY
A	35' 3 SEC EXTENSION	PEL3-35	1
B	24' 2 SEC EXTENSION	PEL-24	1
C	16' ROOF	PRL-16	2
D	14' FRESNO ATTIC	AEL-14	1
E	10' FOLDING ATTIC	FL-10	1
F	4' D-HANDLE PIKE POLE	YPDH-S4	2
G	6' PIKE POLE	YPD-6	2
H	8' PIKE POLE	YPD-8	2
I	12' PIKE POLE	YPD-12	2
J	16' ROOF	DRL-16	1
K	6' PIKE POLE	YPD-6	1



**NOTE:**  
 THIS DRAWING IS THE PROPERTY OF SPARTAN FIRE, LLC AND IS TO BE USED ONLY IN REFERENCE TO THE WORK PROPOSED OR CONTRACTED BY SPARTAN FIRE, LLC ANY REPRODUCTION IN PART OR IN WHOLE WITHOUT THE WRITTEN PERMISSION OF SPARTAN FIRE, LLC IS STRICTLY PROHIBITED.  
 DIMENSIONS SHOWN ARE APPROXIMATE AND ARE SUBJECT TO CHANGE AS MAY BE FOUND NECESSARY DURING CONSTRUCTION. THIS DRAWING MUST BE PLOTTED TO THE PAPER SIZE LISTED IN THE TITLE BLOCK FOR THE LISTED SCALE TO BE VALID.  
 THIS DRAWING IS FOR REFERENCE PURPOSES ONLY. SOME ITEMS MAY OR MAY NOT APPEAR ON THE DRAWING THAT MAY OR MAY NOT BE INCLUDED IN THE SPECIFICATIONS. THE SPECIFICATIONS SHALL BE THE FINAL AUTHORITY TO DETERMINE WHAT IS SUPPLIED ON THE APPARATUS.

REVISION HISTORY			
REV	INT	DATE	DESCRIPTION
01	KS	12/5/19	PRE CONSTRUCTION UPDATES
02	CL	1/24/20	CHANGE ORDER A: TRADITIONAL HOSEBED, GROUND LADDERS

## SHOP ORDER

CHASSIS: SPARTAN GLADIATOR EMFD FLAT ROOF  
 ENGINE: CUMMINS X12 500HP WITH ALLISON 4000 EVS  
 PUMP: WATERIOUS CSUC20 2000 RATED AT 1500 GPM  
 WATER TANK: 500 U.S. GAL  
 FOAM CELL: 20 U.S. GAL  
 BODY MATERIAL: 1/8" ALUMINUM  
 HOSE BED: 900' OF 5" / 35 CUBIC FEET  
 GENERATOR: HARRISON 8KW MCR  
 COMPARTMENTS: 171 CUBIC FEET



SPARTAN DEMO  
 SNYDER, NE  
 MODEL: 75' REAR MOUNT AERIAL (S33RL-75)  
 DEALERSHIP: SPARTAN MOTORS, USA, INC.  
 SCALE: 1/2" = 1'  
 SIZE: 24" X 36"  
 SHEET: 1 OF 1  
 DRAWN BY: CL  
 DATE: 1/24/20  
 DRAWING NO: S5055  
 REV: 02